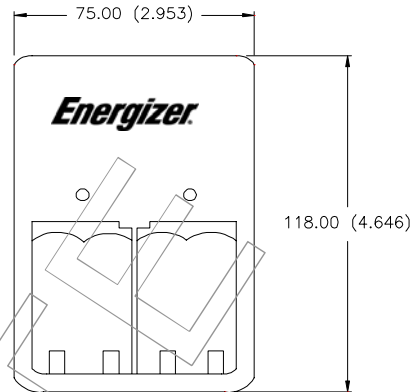


ENERGIZER CHVC

**Charger**



**Features:**

1. Charges two or four AA and AAA NiMH size batteries
2. Illuminated LED indicate unit is operational.
3. Can charge AA and AAA size batteries at the same time in pairs.

**Product Detail:**

Designation: Value Charger

Color: White

Charge Capability: Two or Four "AA" NiMH Batteries  
Two or Four "AAA" NiMH Batteries

Charging Output: 200 mA x 2(AA)  
80 mA x 2(AAA)

Charging Time: 24 hours

Typical Weight: 225.0 grams

Dimensions (mm): 118.00 x 75.00 x 67.00

**Note:** This charger is not intended for use by young children or infirm persons without supervision. Young children should be supervised to ensure they do not play with the charger.

**Charging Instructions:**

This charger must **NOT** be used for Alkaline, Carbon Zinc, Lithium, NiCd or other kinds of batteries not specified on this charger. Do not charge batteries with different capacities. For best results, charge batteries 24 hours before first use.

1. Slide cover off to allow charger to accept batteries.  
**Note:** For initial charge, remove insulator sheet located between battery and charger terminal.
2. Install batteries as indicated by the polarity (+/-) symbols.
3. Charge 1.2V AA and AAA rechargeable batteries in pairs. When charging only two batteries, place batteries in the two positions to the left or right. Both AA and AAA size batteries can be charged at the same time.
4. Connect the charger directly to a power source. Never use extension cords. The LED indicates that the unit is operational. Fully discharged 1700 mAh batteries will take about 20 hours to fully charge.

**Important Safety Instructions:**

1. For NiMH batteries only.
2. Do not use batteries with different capacities.
3. For indoor use only. Do not expose to rain, snow, or excessive moisture.
4. Plug directly into wall. Never use an extension cord or any attachment not approved by Energizer.
5. Do not operate charger if it has been subjected to shock or damage. Take to qualified serviceman for repair.
6. Do not disassemble the charger.
7. Always unplug the charger from outlet before attempting maintenance or cleaning. Turning off controls will not reduce the risk of electrical shock.
8. Never alter the plug provided. Improper connection can result in a risk of electric shock.
9. Never use as a power source for electrical equipment.

**Important Notice**

This datasheet contains information specific to battery chargers manufactured at the time of its publication.

©Energizer Holdings, Inc. - Contents herein do not constitute a warranty.