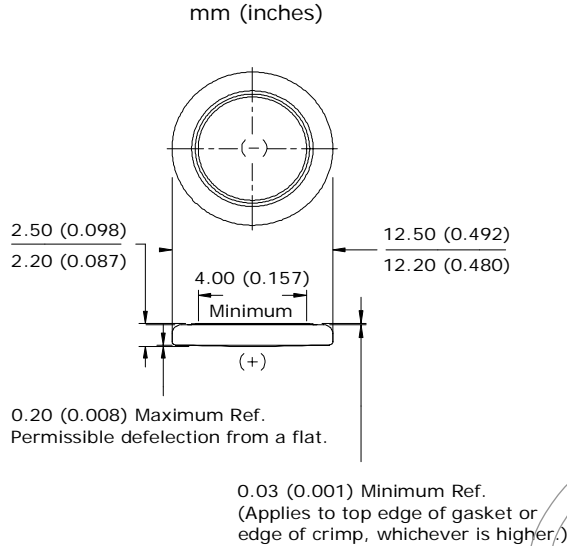


ENERGIZER NO. CR1225



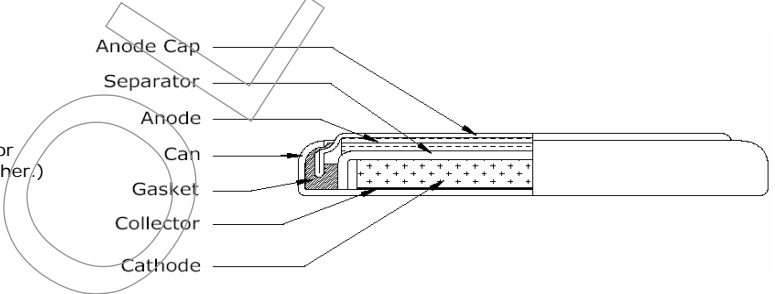
Industry Standard Dimensions



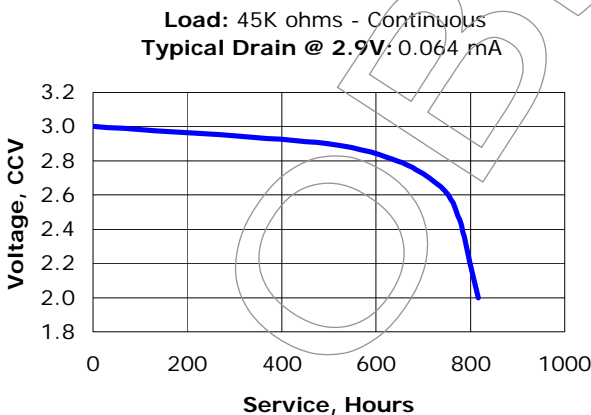
Specifications

Classification: "Lithium Coin"
Chemical System: Lithium / Manganese Dioxide (Li/MnO₂)
Designation: ANSI-5020LC, IEC-CR1225
Nominal Voltage: 3.0 Volts
Typical Capacity: 50 mAh (to 2.0 volts)
 (Rated at 45K ohms at 21°C)
Typical Weight: 0.9 grams (0.02 oz.)
Typical Volume: 0.3 cubic centimeters (0.02 cubic inch)
Max Rev Charge: 1 microampere
Energy Density: 161 milliwatt hr/g, 518 milliwatt hr/cc
Shipping: For complete details, please reference:
 Global (except US): Special Provision A45 of the International
 Air Transport Association Dangerous
 Goods Regulations
 United States: 49 CFR 173.185

Cross Section



Typical Discharge Characteristics



Simulated Application test

Typical Performance at 21°C (70°F)

Schedule:	Typical Drains: at 2.9V (mA)	Load (ohms)	Cutoff 2.0V (hours)
Continuous	0.064	45,000	817

Important Notice

This data sheet contains typical information specific to batteries manufactured at the time of its publication.

Contents herein do not constitute a warranty.

©Eveready Battery Company, Inc. - All Rights Reserved