

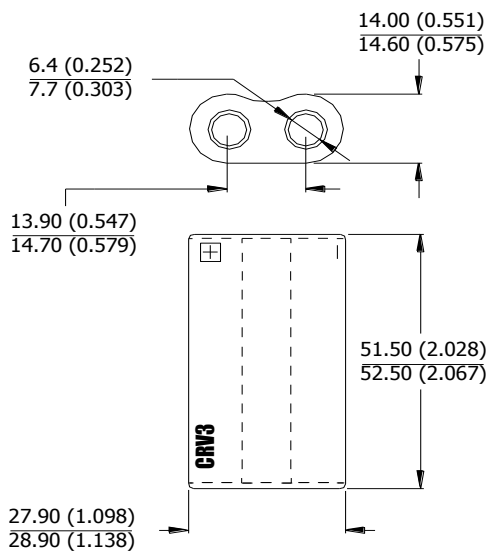
ENERGIZER CRV3

(ELCRV3)



Industry Standard Dimensions

mm (inches)

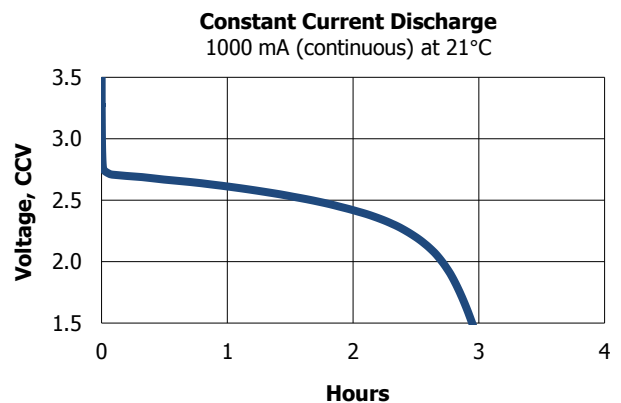
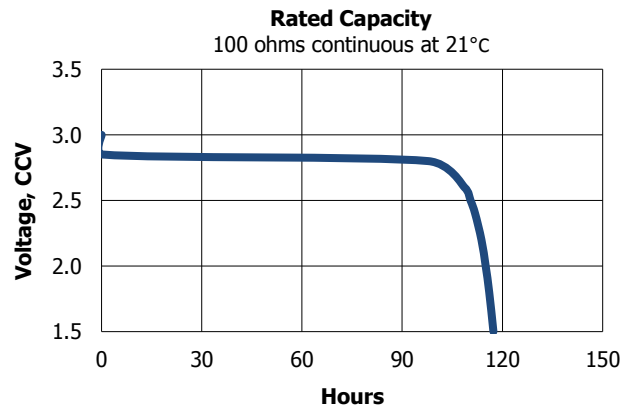


This battery contains a Positive Temperature Coefficient (PTC) safety device to limit current during short circuit conditions.

Specifications

- Classification:** "Lithium"
- Chemical System:** Non-Aqueous Lithium
- Designation:** ANSI-5047LC/LF
- Nominal Voltage:** 3.0 Volts
- Storage Temp:** -40°C to 60°C (-40°F to 140°F)
- Operating Temp:** -40°C to 60°C (-40°F to 140°F)
- Typical Capacity:** 3000 mAh (to 2.0 volts)
(Rated at 100 ohms at 21°C)
- Typical Weight:** 32.0 grams (1.1 oz.)
- Typical Volume:** 24 cubic centimeters (1.5 cubic inch)
- Max Discharge:** 2000 mA continuous (3500 mA pulse)
- Max Rev Current:** 2 uA
- Typical Li Content:** 1.25 grams (0.04 oz.)

Typical Discharge Characteristics



Simulated Application Tests

Typical Use Performance

Type (time)	Drain (mA / mW)	Load (ohms)	Cutoff Voltage		
			2.1V (21°C) (pulses)	2.0V (21°C) (hours)	1.8V (20°C) (hours)
Capacity (continuous)	---	100	---	115	---
Discharge (continuous)	1000 mA	---	---	---	2.8
DSC* (**)	3k/1.3k mW	---	585	---	---

*Digital Still Camera (DSC)
**3k/1.3k mW 2/28sec 5/55min per hour

Important Notice

This datasheet contains typical information specific to products manufactured at the time of its publication.
©Energizer Holdings, Inc. - Contents herein do not constitute a warranty.