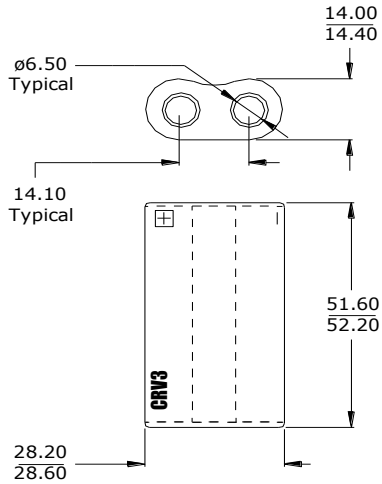


**ENERGIZER CRV3**

**Photo**



**Industry Standard Dimensions**  
(millimeters)



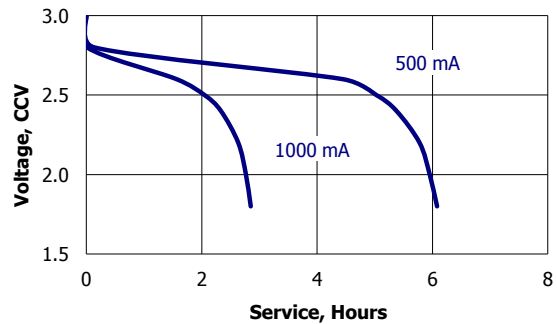
This battery contains a Positive Temperature Coefficient (PTC) safety device to limit current during short circuit conditions.

**Specifications**

<b>Classification:</b>	"Lithium"
<b>Chemical System:</b>	Lithium / Manganese Dioxide (Li/MnO <sub>2</sub> )
<b>Nominal Voltage:</b>	3.0 Volts
<b>Storage Temp:</b>	-40°C to 60°C
<b>Operating Temp:</b>	-40°C to 60°C
<b>Typical Capacity:</b>	3000 mAh (to 2.0 volts) (rated at 200 mA at 21°C)
<b>Typical Weight:</b>	38 grams
<b>Typical Volume:</b>	24 cubic centimeters
<b>Max Discharge:</b>	2.0 amps continuous 3.0 amps pulse (2 sec on/8 sec off)
<b>Cells:</b>	Two CR14500 in parallel configuration
<b>Typical Li Content:</b>	1.25 grams

**Typical Discharge Characteristics**

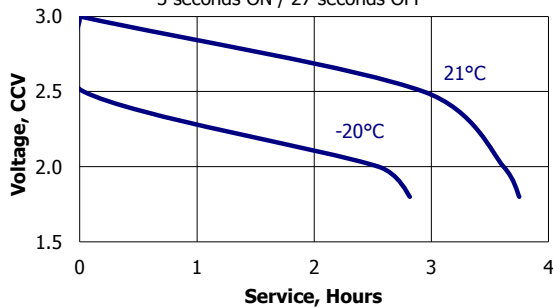
**Constant Current Discharge**  
at 21°C



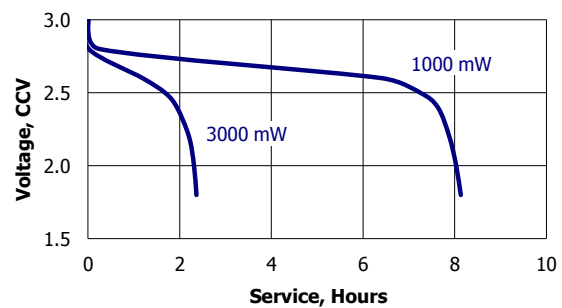
**Typical Discharge Characteristics**

**Pulse Discharge**

900 mA  
3 seconds ON / 27 seconds OFF



**Constant Power Discharge**  
at 21°C



**Important Notice**

This datasheet contains typical information specific to products manufactured at the time of its publication.  
©Energizer Holdings, Inc. - Contents herein do not constitute a warranty.