

# ENERGIZER E11A



**ZERO**MERCURY®

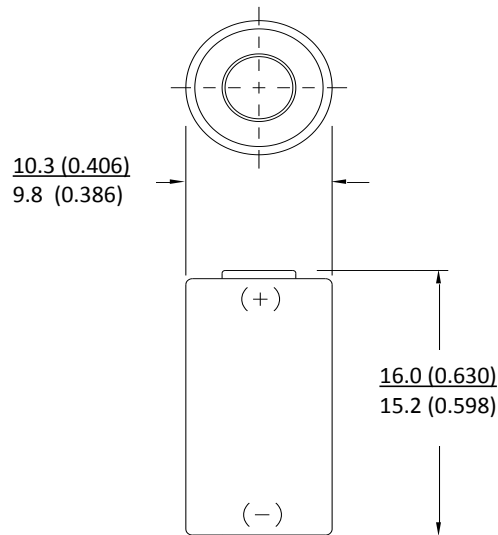
**Miniature Alkaline**

## Specifications

<b>Classification:</b>	"Miniature Alkaline"
<b>Chemical System:</b>	Manganese Dioxide (MnO <sub>2</sub> )
<b>Designation:</b>	N/A
<b>Nominal Voltage:</b>	6.0 volts
<b>Typical Capacity:</b>	44 mAh to 3.6 volts (rated at 10k ohms at 21°C)
<b>Typical Weight:</b>	4.1 grams (0.15 oz)
<b>Jacket:</b>	Metal

## Industry Standard Dimensions

mm (inches)



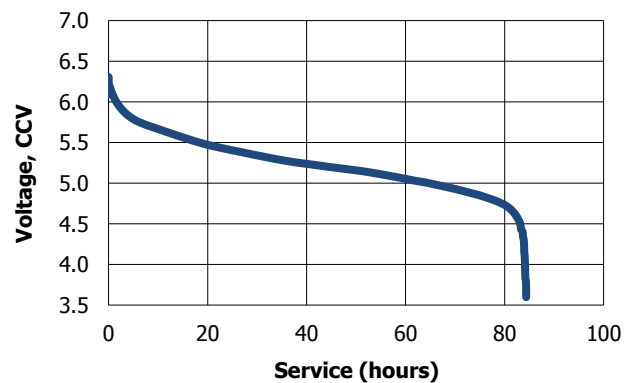
## Typical Discharge Durations

21°C (70°F)

Schedule (time)	Drain (mA)	Load (ohms)	Cutoff Voltage		
			5.6V (hours)	4.8V (hours)	3.6V (hours)
Continuous	0.5	10K	14	77	84

## Discharge Characteristics

**Schedule:** Continuous  
**Typical Load:** 10KΩ (21°C)



### Important Notice

This datasheet contains typical information specific to products manufactured at the time of its publication.  
©Energizer Holdings, Inc. - Contents herein do not constitute a warranty.