

ENERGIZER EA92
Advanced Lithium

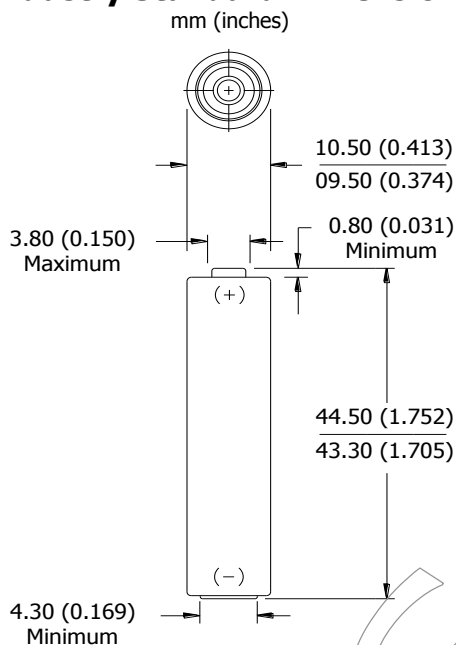
AAA



Specifications

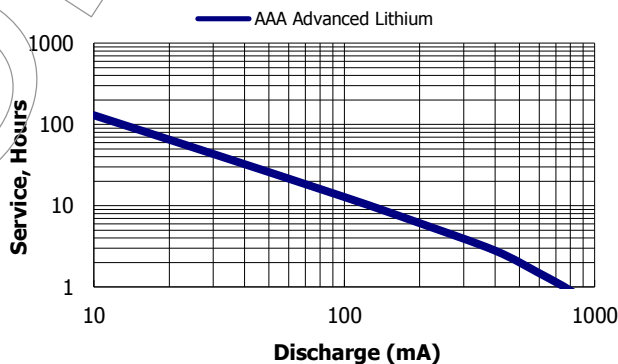
Classification: "Cylindrical Lithium"
Chemical System: Lithium/Iron Disulfide (Li/FeS₂)
Designation: ANSI 24-LF, IEC-FR03
Nominal Voltage: 1.5 Volts
Typical Weight: 7.6 grams (0.3 oz.)
Typical Volume: 3.8 cubic centimeters (0.2 cubic inch)
Max Discharge: 1.0 Amps Continuous
 (single battery only) 1.5 Amps Pulse (2 sec on / 8 sec off)
Typical Li Content: Less than 1 gram
Typical IR: 170 to 210 milliohms (depending on method)
Shelf Life: 10 years at 21°C
Transportation: For complete details, please reference:
 Global (except US): Special Provision A45 of the International
 Air Transport Association Dangerous
 Goods Regulations
 United States: 49 CFR 173.185

Industry Standard Dimensions



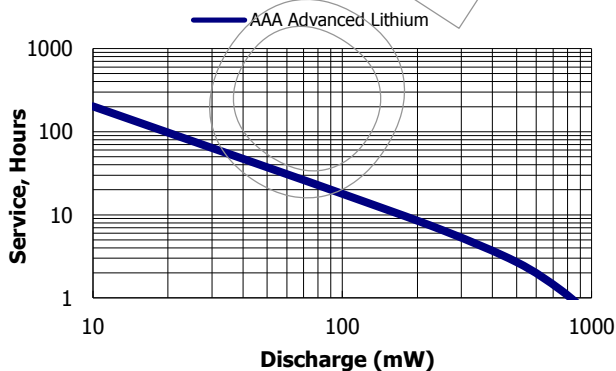
Constant Current Performance

Typical Characteristics to 1.0 Volts at 21°C



Constant Power Performance

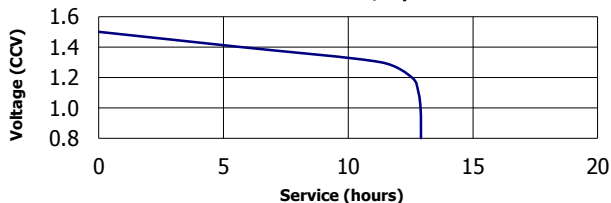
Typical Characteristics to 1.0 Volts at 21°C



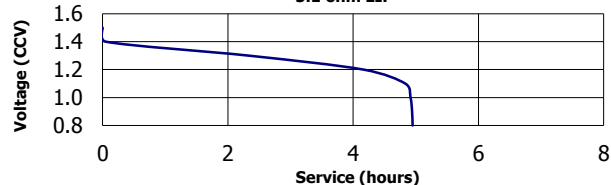
Application Tests

Typical Characteristics at 21°C

TAPE / ELECTRONIC GAME / DIGITAL AUDIO
100 mA 1 hr/day



PORTABLE LIGHTING
5.1 ohm LIF



Important Notice

This datasheet contains typical information specific to products manufactured at the time of its publication.
 ©Energizer Holdings, Inc. - Contents herein do not constitute a warranty.