

ENERGIZER NO. EDL4A

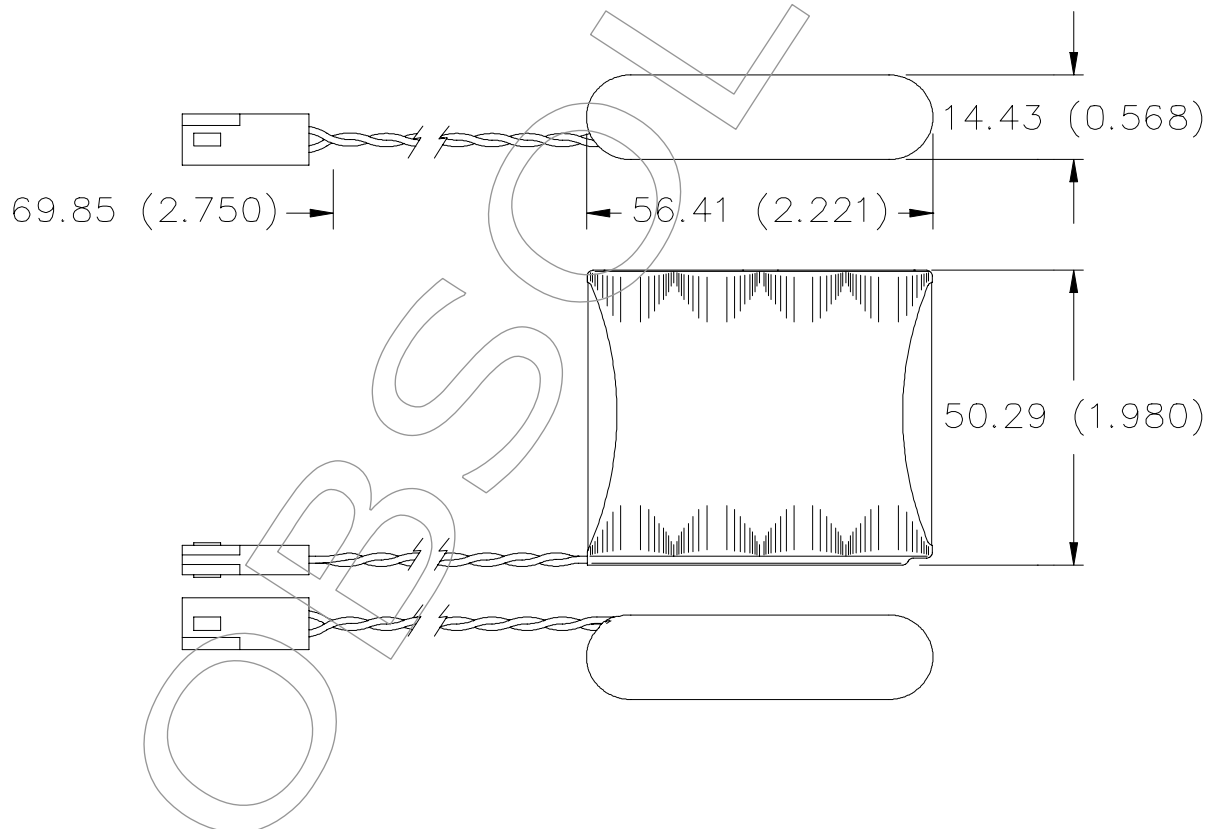


Industrial Lock Pack

NOT INTENDED FOR RETAIL TRADE

Chemical System:	Alkaline Zinc-Manganese Dioxide (Zn/MnO ₂) (No Added Mercury or Cadmium)
Battery Voltage:	6.0 Volts
Average Capacity:	2,850 mAh (to 0.8 volts / cell) (Rated capacity at 25 mA continuous drain.)
Average Weight:	98.8 grams (3.5 oz.)
Volume:	41.0 cubic centimeters (2.5 cubic inch)
Cell:	Four No. 3-315I in series
Terminal:	Wire Lead (plug)

Dimensions in mm (inches)



Important Notice

This data sheet contains information specific to batteries manufactured at the time of its publication.

Contents herein do not constitute a warranty.

Copyright © Eveready Battery Co. Inc. - All Rights Reserved