

ENERGIZER NO. EDL4AS



Industrial Lock Pack

NOT INTENDED FOR RETAIL TRADE

Chemical System: Alkaline
 Zinc-Manganese Dioxide (Zn/MnO₂)
 (No Added Mercury or Cadmium)

Battery Voltage: 6.0 Volts

Average Capacity: 2,850 mAh (to 0.8 volts / cell)
 (Rated capacity at 25 mA continuous drain.)

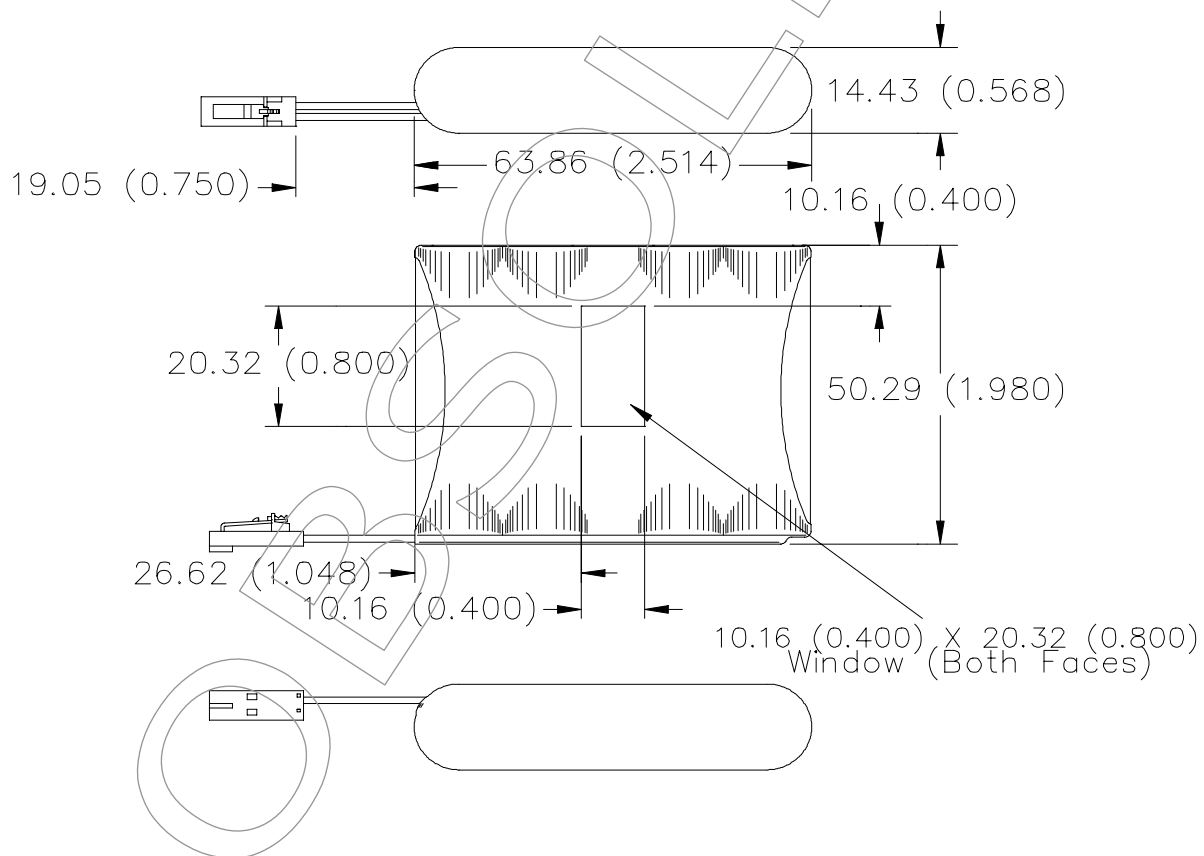
Average Weight: 99.7 grams (3.5 oz.)

Volume: 46.4 cubic centimeters (2.8 cubic inch)

Cell: Four No. 3-315I in series

Terminal: Wire Lead (plug)

Dimensions in mm (inches)



Important Notice

This data sheet contains information specific to batteries manufactured at the time of its publication.

Contents herein do not constitute a warranty.

Copyright © Eveready Battery Co. Inc. - All Rights Reserved