

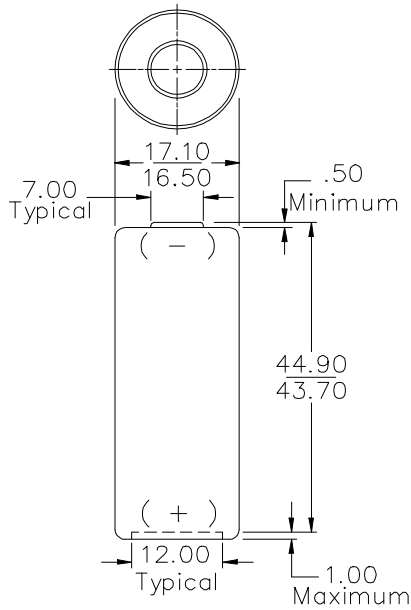


Engineering Data

Alkaline 6V

NOT INTENDED FOR RETAIL TRADE

EVEREADY NO. EN164A



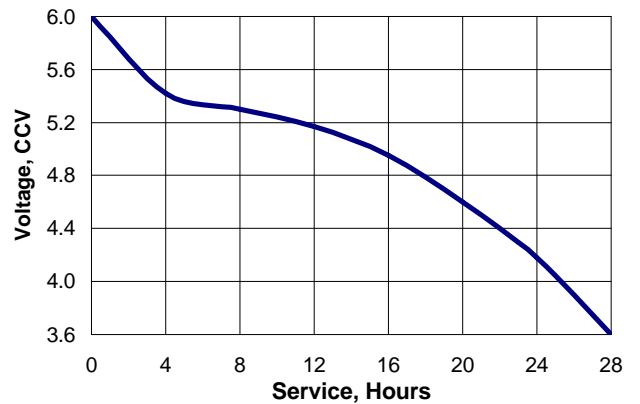
Chemical System: Zinc-Manganese Dioxide (Zn/MnO₂)
Designation: ANSI / NEDA-1404A, IEC-4LR52
Battery Voltage: 6.0 Volts
Typical Weight: 25.5 grams (0.9 oz.)
Volume: 10.3 cubic centimeters (0.6 cubic inch)
Average Service capacity (to 3.6 Volt): 335 mAh
 (Rated Capacity at 400 ohms continuous at 20°C)
Cell: Four No. 640A-P in series

Dimensions (mm)

Millimeters	Inches
0.50	0.020
1.00	0.039
7.00	0.276
12.00	0.472
16.50	0.650
17.10	0.673
43.70	1.720
44.90	1.768

DESIGNED SPECIFICALLY FOR PHOT USE

TYPICAL DISCHARGE CHARACTERISTICS Simulated Test at 21°C (70°C)



SIMULATED APPLICATION TESTS Estimated Average Service at 21°C (70°F)

Schedule	Typical Drains 5.0V (milliamperes)	Load (ohms)	Cutoff Voltage
			3.6V hours
24 hours / day	12.5	400	28

IMPORTANT NOTICE

This data sheet contains information specific to batteries manufactured at time of its publication. Please contact your Energizer representative for most current information. Contents herein do not constitute a warranty.