



Engineering Data

Alkaline 1.5V

NOT INTENDED FOR RETAIL TRADE

EVEREADY NO. EN1A

Chemical System: Zinc-Manganese Dioxide (Zn/MnO₂)

Designation: ANSI / NEDA-1100A, IEC-LR50

Battery Voltage: 1.5 Volts

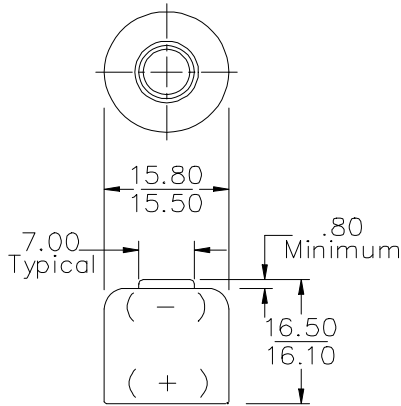
Typical Weight: 8.3 grams (0.3 oz.)

Volume: 3.2 cubic centimeters (0.2 cubic inch)

Average Service capacity (to 1.8 Volt): 650 mAh
 (Rated Capacity at 220 ohms continuous at 20°C)

Cell: 1A-P

Dimensions (mm)

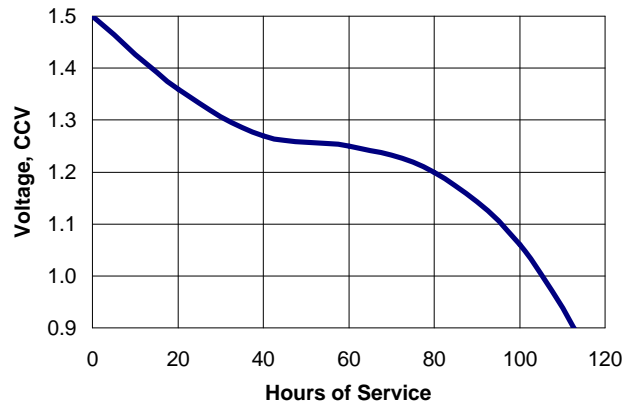


| Millimeters | Inches |
|-------------|--------|
| 0.80 | 0.031 |
| 7.00 | 0.276 |
| 15.50 | 0.610 |
| 15.80 | 0.622 |
| 16.10 | 0.634 |
| 16.50 | 0.650 |

DESIGNED SPECIFICALL FOR PHOTO USE

TYPICAL DISCHARGE CHARACTERISTICS

Simulated Test at 21°C (70°C)



SIMULATED APPLICATION TESTS
 Estimated Average Service at 21°C (70°F)

| Schedule | Typical Drains 1.25V (milliamperes) | Load (ohms) | Cutoff Voltage |
|----------------|---|----------------|----------------|
| | | | 0.9V hours |
| 24 hours / day | 5.7 | 220 | 114 |

IMPORTANT NOTICE

This data sheet contains information specific to batteries manufactured at time of its publication. Please contact your Energizer representative for most current information. Contents herein do not constitute a warranty.