

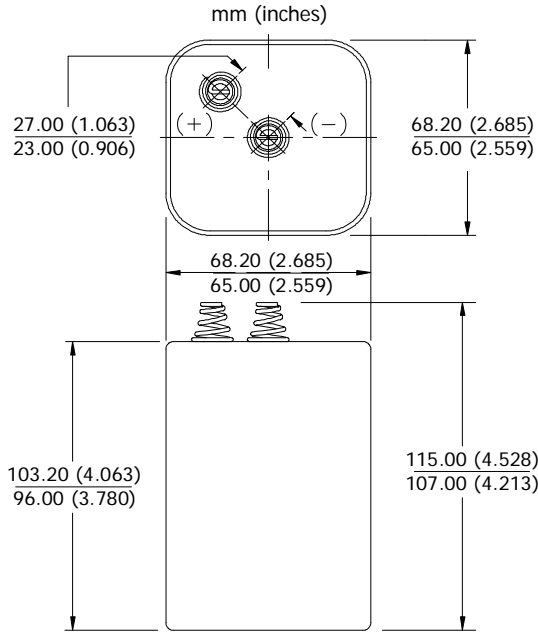
ENERGIZER EN529

Canada Construction

6V



Industry Standard Dimensions



This battery shall pass freely through a cylindrical tube 82.6 diameter x 101.6 long.

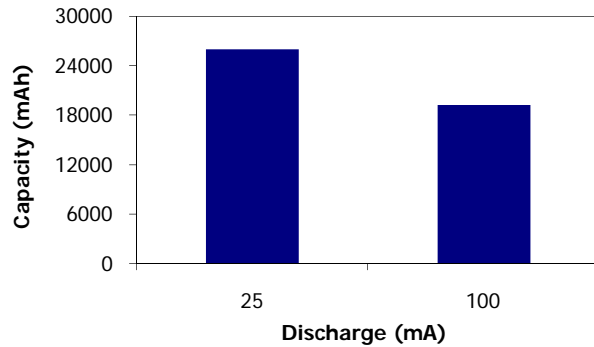
Specifications

NOT INTENDED FOR RETAIL TRADE

Classification:	Alkaline
Chemical System:	Zinc-Manganese Dioxide (Zn/MnO ₂) No added mercury or cadmium
Designation:	ANSI-908A, IEC-4LR25
Nominal Voltage:	6.0 volts
Operating Temp:	-18°C to 55°C (0°F to 130°F)
Typical Weight:	885 grams (31.3 oz.)
Typical Volume:	440.4 cubic centimeters (26.9 cubic inch)
Jacket:	Metal
Cells:	Four 3-361 in series
Terminal:	Coil Spring

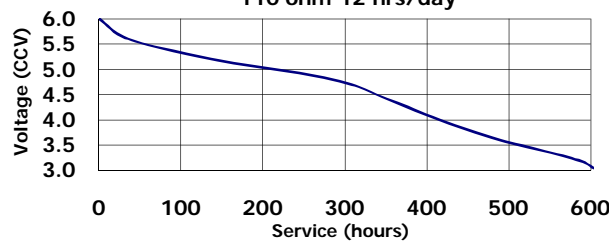
Milliamp-Hours Capacity

Continuous discharge to 3.2 volts at 21°C

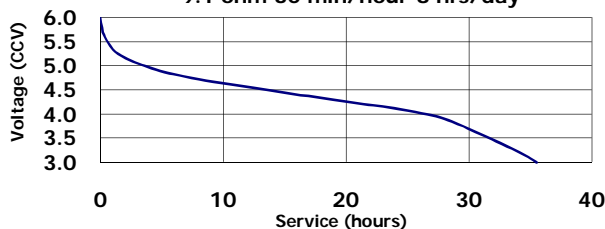


Industry Standard Tests (21°C)

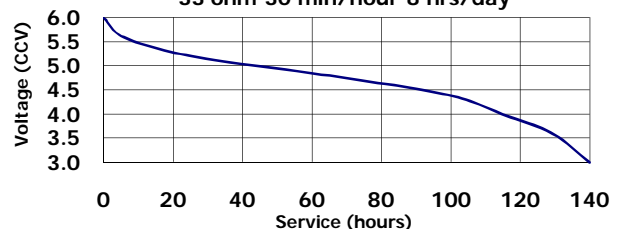
STEADY BURN BARRICADE
110 ohm 12 hrs/day



LIGHTING
9.1 ohm 30 min/hour 8 hrs/day



LIGHTING
33 ohm 30 min/hour 8 hrs/day



Important Notice

This datasheet contains typical information specific to products manufactured at the time of its publication.
©Energizer Holdings, Inc. - Contents herein do not constitute a warranty.