

**ENERGIZER EN715**

**7.5V**

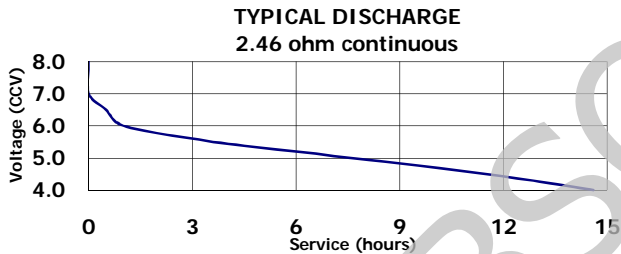
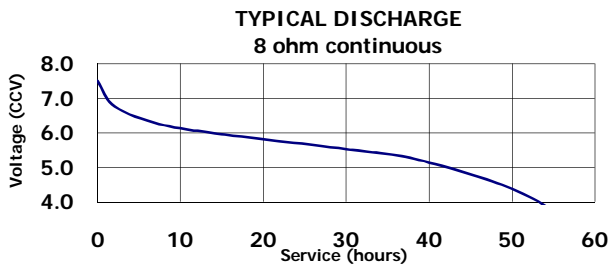


**Specifications**

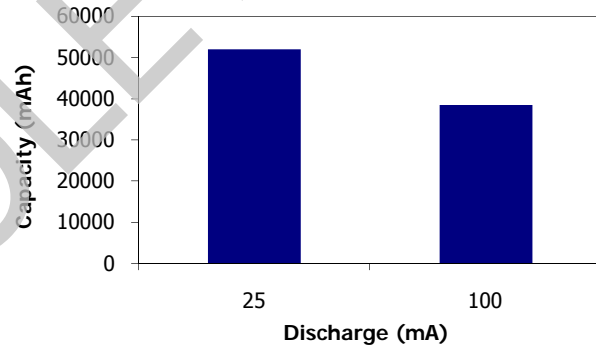
**NOT INTENDED FOR RETAIL TRADE**

<b>Classification:</b>	Alkaline
<b>Chemical System:</b>	Zinc-Manganese Dioxide (Zn/MnO <sub>2</sub> ) No added mercury or cadmium
<b>Nominal Voltage:</b>	7.5 volts
<b>Operating Temp:</b>	-18°C to 55°C (0°F to 130°F)
<b>Typical Weight:</b>	2300 grams (81.4 oz.)
<b>Typical Volume:</b>	1570 cubic centimeters (95.8 cubic inch)
<b>Jacket:</b>	Metal
<b>Cells:</b>	Ten 3-361 Two parallel strings of five in series
<b>Terminal:</b>	Screw Post

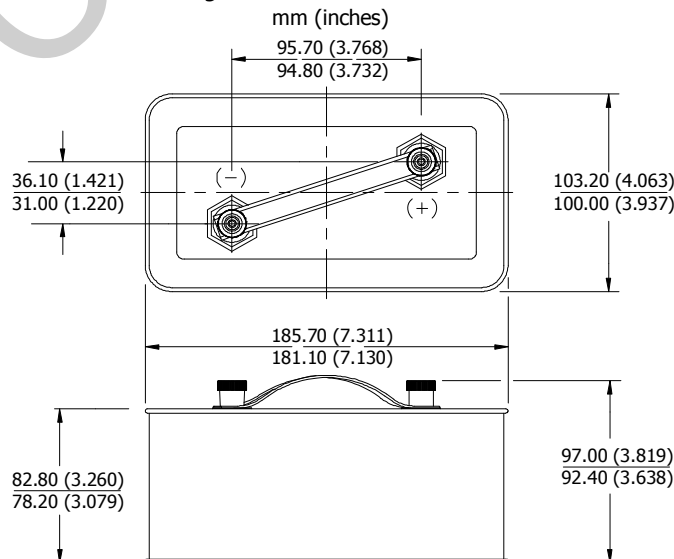
**Simulated Application Tests (21°C)**



**Milliamp-Hours Capacity**  
Continuous discharge to 3.0 volts at 21°C



**Industry Standard Dimensions**



**Important Notice**

This datasheet contains typical information specific to products manufactured at the time of its publication.  
©Energizer Holdings, Inc. - Contents herein do not constitute a warranty.