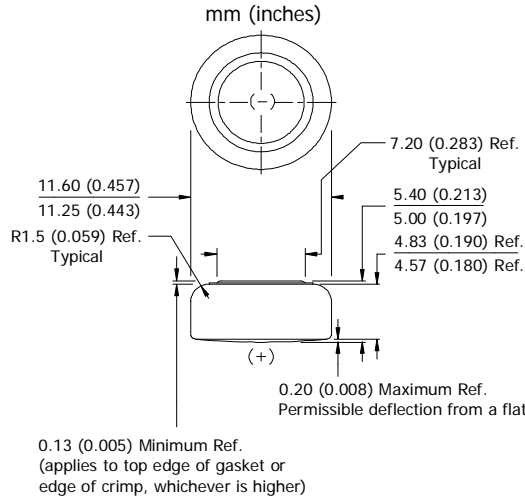


ENERGIZER EPX76

SILVER OXIDE



Industry Standard Dimensions

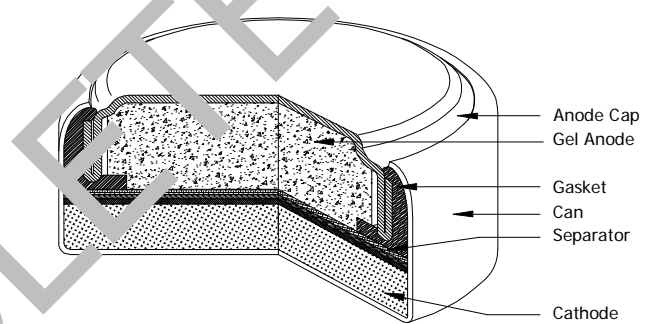


Specifications

**Chemical System:** Silver Oxide (Zn/Ag<sub>2</sub>O)  
**Designation:** ANSI-1107SO, IEC-SR44  
**Nominal Voltage:** 1.55 Volts  
**Typical Capacity:** 200 mAh\* (to 0.9 volts)  
**Capacity Test:** 6.8K ohm continuous drain at 21°C  
**Typical Weight:** 2.3 grams (0.08 oz.)  
**Typical Volume:** 0.57 cubic centimeters (0.035 cubic inch)  
**Impedance (40 Hz):** 5 to 15 ohms

\* Varies according to the applied load, temperature, and cutoff voltage.

Cross Section

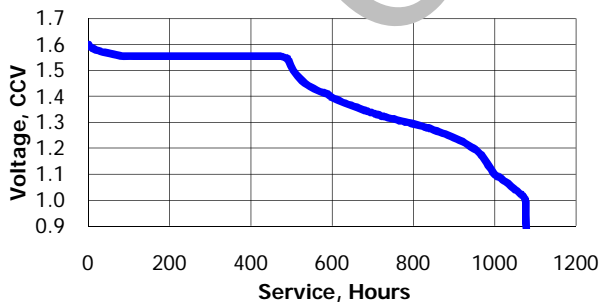


DESIGNED SPECIFICALLY FOR PHOTO USE

Typical Discharge Characteristics

Typical Performance at 21°C (70°F)

Schedule: Continuous  
 Typical Drain @ 1.26V:  
 0.186 milliamperes  
 Load: 6.8K ohm

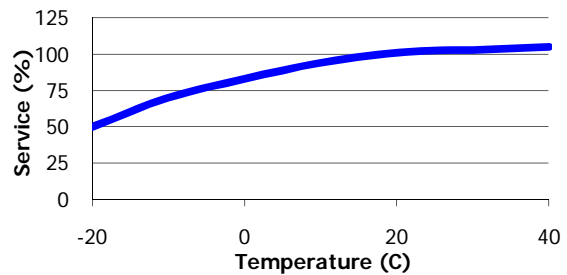


Schedule	Typical Drains at 1.26V (milliamperes)	Load (ohm)	Cutoff (hours)
Continuous	0.186	6.8K	1,075

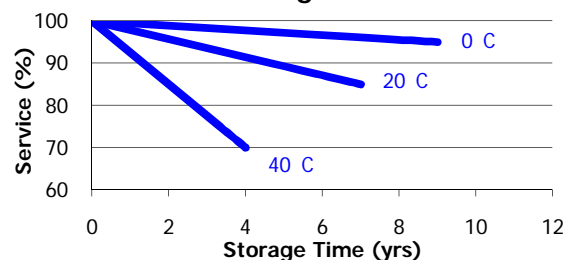
Temperature Characteristics

Typical Performance at Low Discharge Rates

Service Effects



Storage Effects



Important Notice

This datasheet contains typical information specific to products manufactured at the time of its publication.  
 ©Energizer Holdings, Inc. - Contents herein do not constitute a warranty.