

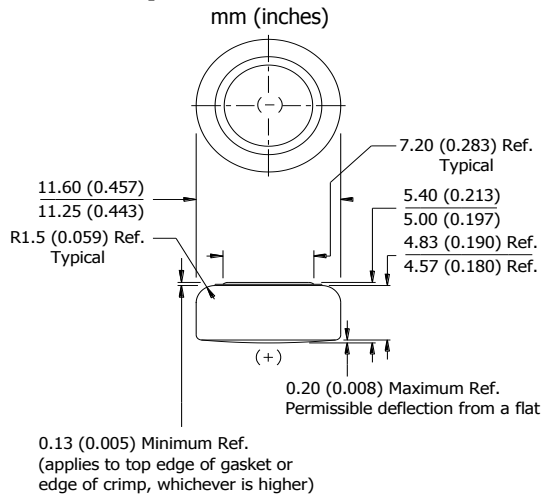
ENERGIZER EPX76

ZEROMERCURY®

SILVER OXIDE



Industry Standard Dimensions



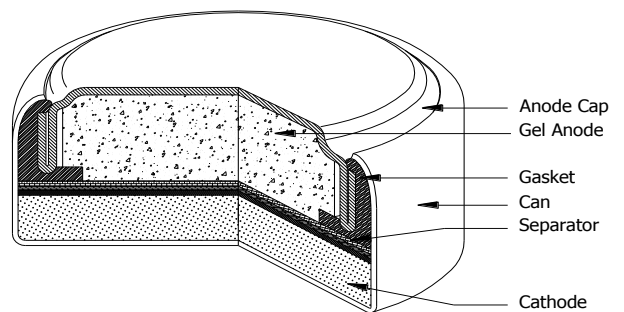
DESIGNED SPECIFICALLY FOR PHOTO USE

Specifications

| | |
|---------------------------|---|
| Chemical System: | Silver Oxide (Zn/Ag ₂ O) |
| Designation: | ANSI-1107SO, IEC-SR44 |
| Nominal Voltage: | 1.55 Volts |
| Typical Capacity: | 188 mAh* (to 0.9 volts) |
| Capacity Test: | 6.8K ohm continuous drain at 21°C |
| Typical Weight: | 2.3 grams (0.08 oz.) |
| Typical Volume: | 0.57 cubic centimeters (0.035 cubic inch) |
| Impedance (40 Hz): | 3 to 10 ohms |

* Varies according to the applied load, temperature, and cutoff voltage.

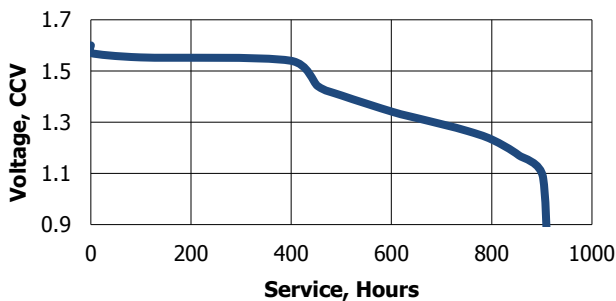
Cross Section



Typical Discharge Characteristics

Typical Performance at 21°C (70°F)

Schedule: Continuous
Typical Drain @1.40V:
 0.21 milliamperes
Load: 6.8K ohm

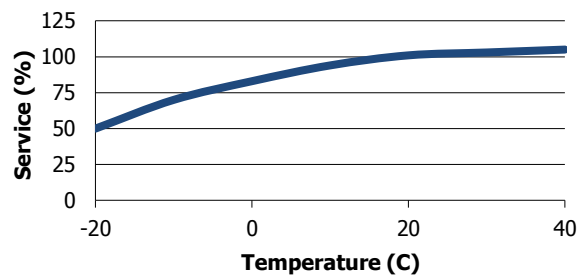


| Schedule | Typical Drains at 1.40V (milliamperes) | Load (ohm) | Cutoff (hours) |
|------------|--|------------|----------------|
| Continuous | 0.21 | 6.8K | 910 |

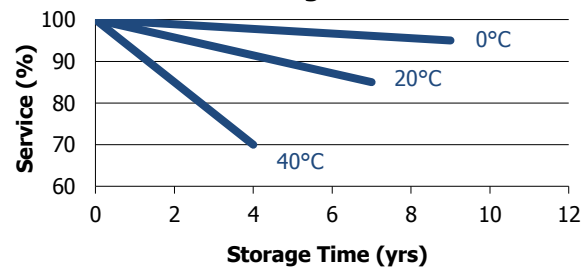
Temperature Characteristics

Typical Performance at Low Discharge Rates

Service Effects



Storage Effects



Important Notice

This datasheet contains typical information specific to products manufactured at the time of its publication. Contents herein do not constitute a warranty and are for reference only.