



Eveready Battery Company, Inc.  
 Checkerboard Square  
 St. Louis, MO 63164  
 Telephone: 1-800-383-7323  
 Internet: www.energizer.com

## Engineering Data

**EVEREADY NO. EV10S**

Zinc Chloride **6V**

**General Purpose**

No Added Mercury or Cadmium

**NOT INTENDED FOR RETAIL TRADE**

**Chemical System:** Zinc-Manganese Dioxide (Zn/MnO<sub>2</sub>)

**Designation:** ANSI / NEDA-915, IEC-4R25

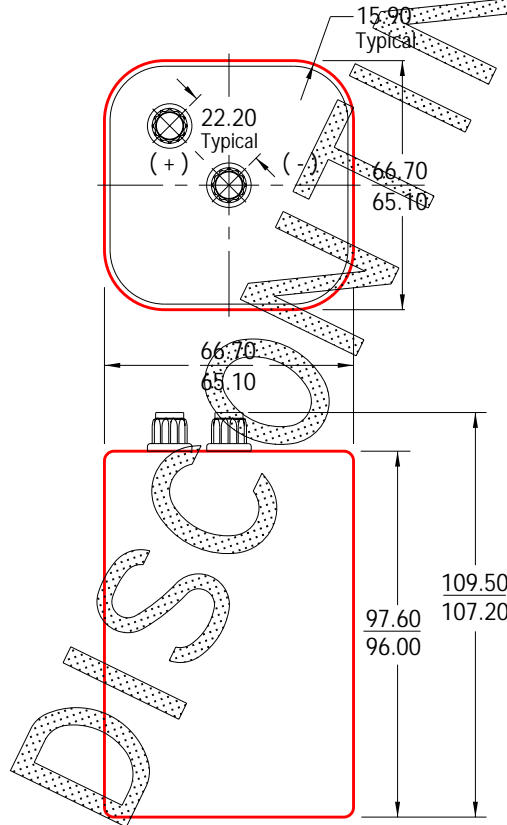
**Battery Voltage:** 6 Volts

**Average Weight:** 632 grams (22.3 oz.)

**Volume:** 434 cubic centimeters (26.5 cubic inch)

**Cells:** Four No. 60 (size "F") in series.

**Jacket:** Metal



Dimensions (mm)

Millimeters	Inches
15.90	.626
22.20	.874
65.10	2.563
66.70	2.626
82.60	3.252
96.00	3.780
97.60	3.843
101.60	4.000
107.20	4.220
109.50	4.311

BATTERY SHALL PASS FREELY THROUGH A  
 CYLINDRICAL TUBE 82.6 DIAMETER X 101.6 LONG.