

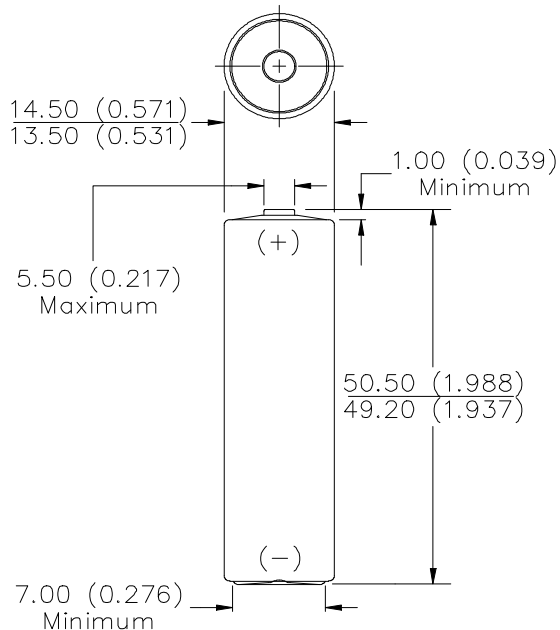
NOT INTENDED FOR RETAIL TRADE

EVEREADY NO. EV115

AA



Industry Standard Dimensions in mm (inches)



INDUSTRIAL SUPER HEAVY DUTY

Chemical System: Zinc-Manganese Dioxide (Zn/MnO₂)
 (No Added Mercury or Cadmium)

Designation: ANSI-15D, IEC-R6

Battery Voltage: 1.5 Volts

Average Weight: 18.5 grams (0.7 oz.)

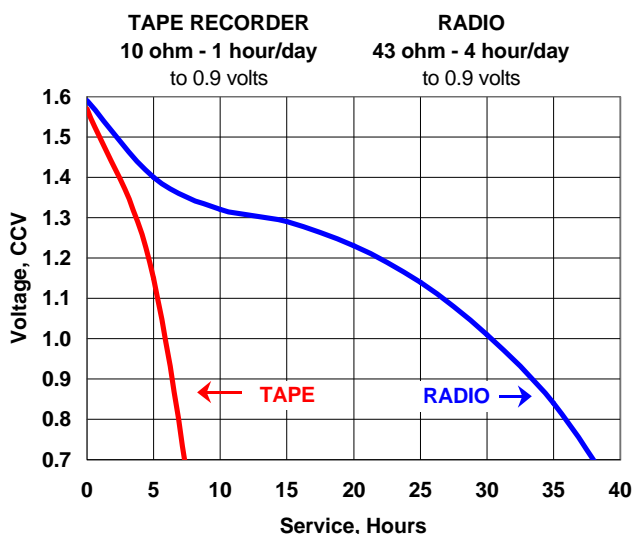
Volume: 8.0 cubic centimeters (0.5 cubic inch)

Average Capacity: 1,100 mAh to 0.8 volts
 (Rated at 25 mA continuous at 21°C)

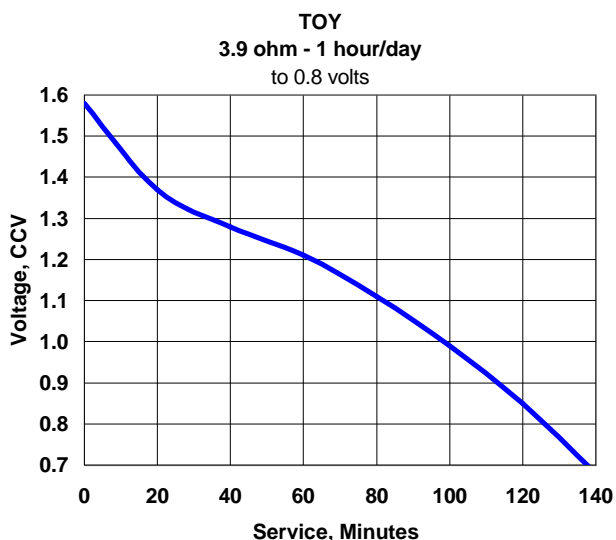
Cell: One No.15 (size 'AA')

Jacket: Metal

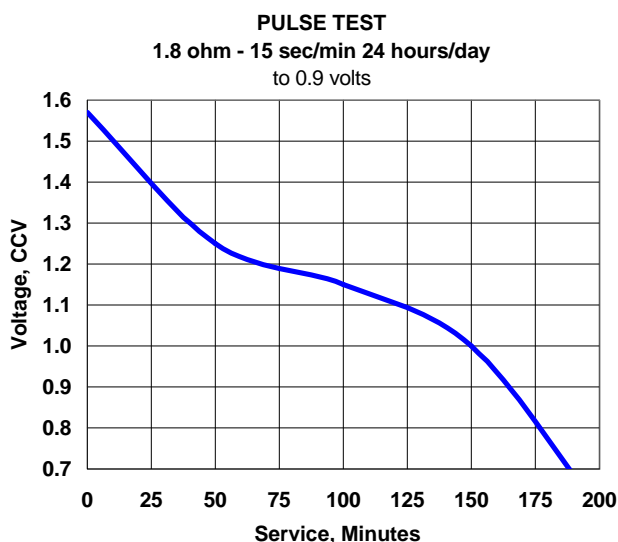
ANSI / IEC Industry Standard Test @ 20°C



ANSI / IEC Industry Standard Test @ 20°C



IEC Industry Standard Test @ 20°C



Important Notice

This data sheet contains information specific to batteries manufactured at the time of its publication.

Contents herein do not constitute a warranty.

Copyright © Eveready Battery Co. - All rights reserved