

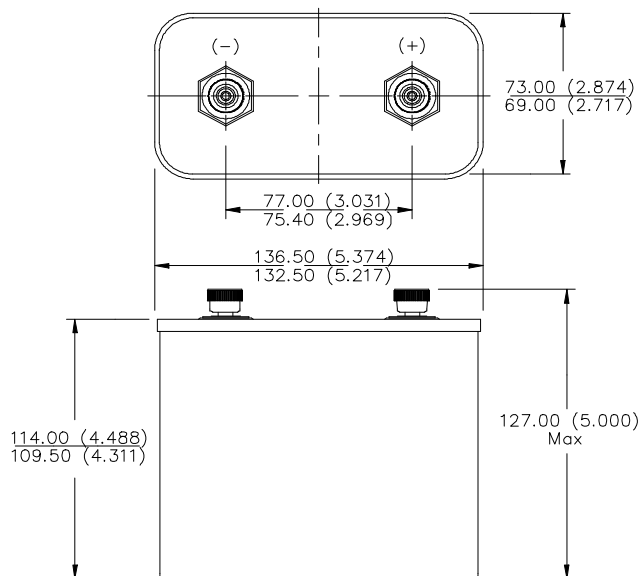
## ENERGIZER NO. EV131

**6V**

**INDUSTRIAL HEAVY DUTY**



Industry Standard Dimensions in mm (inches)



**Chemical System:** Zinc-Manganese Dioxide (Zn/MnO<sub>2</sub>)  
 (No Added Mercury or Cadmium)

**Designation:** ANSI-918CD, IEC-4R25X

**Battery Voltage:** 6 Volts

**Operating Temp:** -18°C to 55°C (0°F to 130°F)

**Average Weight:** 1,250 grams (44.1 oz.)

**Volume:** 1,123 cubic centimeters (68.5 cubic inch)

**Average Capacity:** 10 Ah to 3.6 volts  
 (Rated at 25k ohms continuous at 21°C)

**Cell:** Eight No. 60 (size "F") in series  
 Two parallel string of four in series

**Terminals:** Screw Post

**Jacket:** Plastic

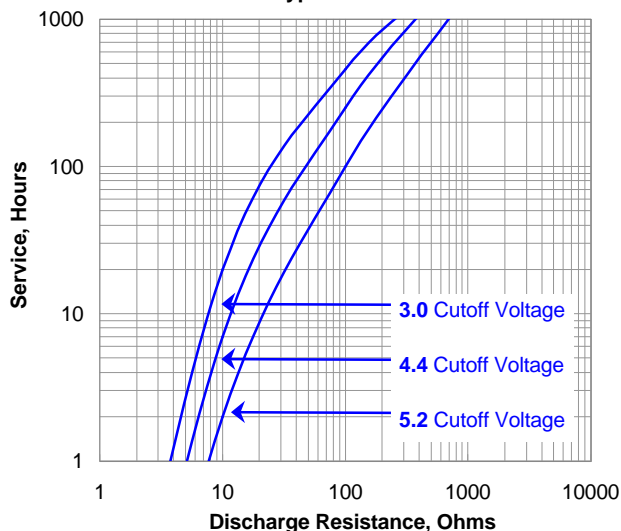
### INTERNAL RESISTANCE VS. TEMPERATURE

The measurement is an approximation of the battery's actual internal resistance. It is sensitive to the loads and operator technique.

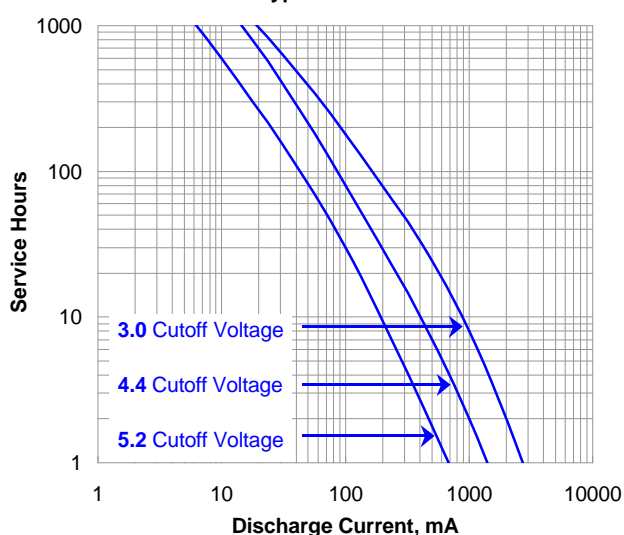
**Schedule:** Background Load 600 ohms  
 Pulse Load 10 ohms  
 Pulse Duration 1 second

Temperature	Typical Ri (ohms)
45°C (113°F)	1.6
21°C (70°F)	0.7
0°C (32°F)	0.8
-21°C (-4°F)	10.0

**CONSTANT RESISTANCE PERFORMANCE**  
 Typical Service



**CONSTANT CURRENT DISCHARGE**  
 Typical Service



### Important Notice

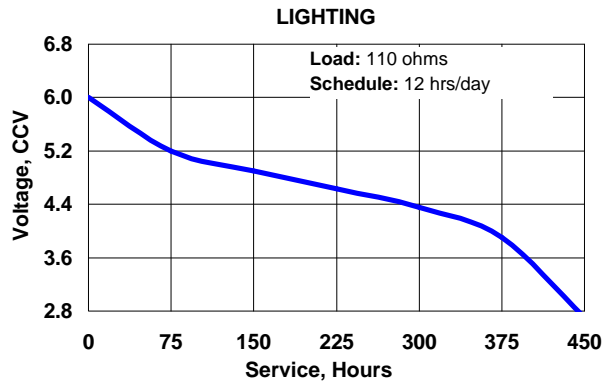
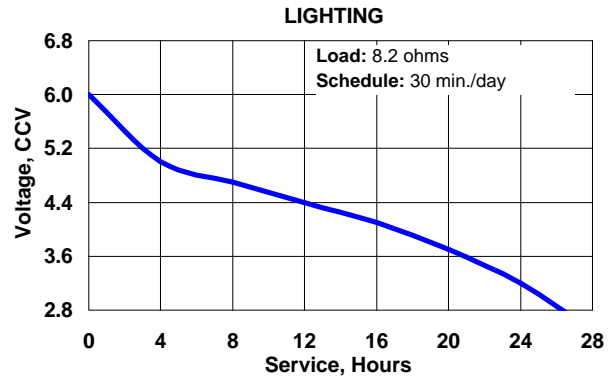
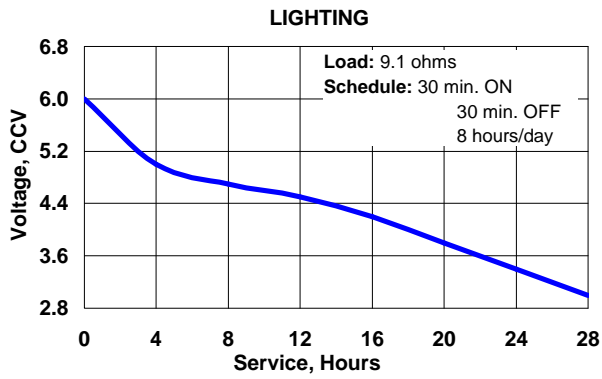
This data sheet contains information specific to batteries manufactured at the time of its publication.

**Contents herein do not constitute a warranty.**

Copyright © Eveready Battery Co. Inc. - All Rights Reserved

## ENERGIZER NO. EV131

### Typical Applications



#### **Important Notice**

This data sheet contains information specific to batteries manufactured at the time of its publication.

**Contents herein do not constitute a warranty.**

Copyright © Eveready Battery Co. Inc. - All Rights Reserved