

EVEREADY BATTERY CO. 1-800-383-7323 / USA  
 Internet: www.energizer.com 1-800-383-7323 / CANADA  
 + 44 (0) 208 920 2306 / EUROPE

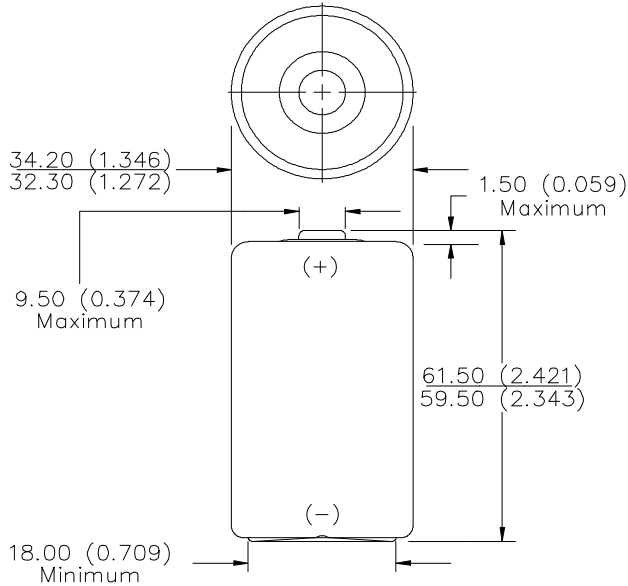
NOT INTENDED FOR RETAIL TRADE

## EVEREADY NO. EV150

**D**



Industry Standard Dimensions in mm (inches)



**Chemical System:** *INDUSTRIAL SUPER HEAVY DUTY*  
 Zinc-Manganese Dioxide (Zn/MnO<sub>2</sub>)  
 (No Added Mercury or Cadmium)

**Designation:** ANSI-13D, IEC-R20

**Battery Voltage:** 1.5 Volts

**Average Weight:** 100.3 grams (3.5 oz.)

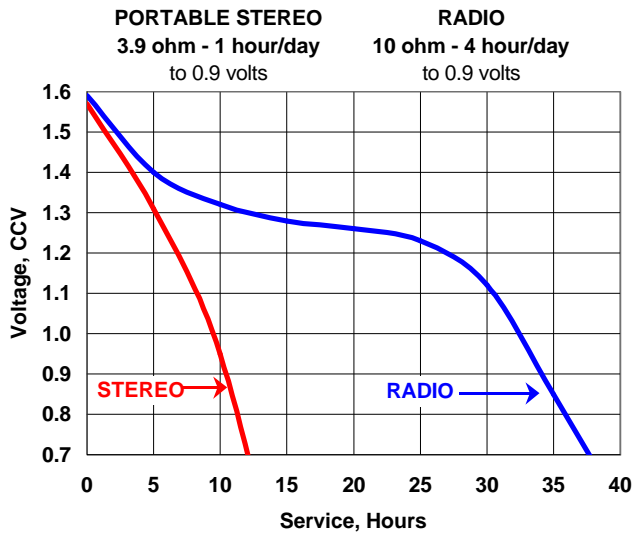
**Volume:** 53 cubic centimeters (3.2 cubic inch)

**Cell:** One No.50 (size 'D')

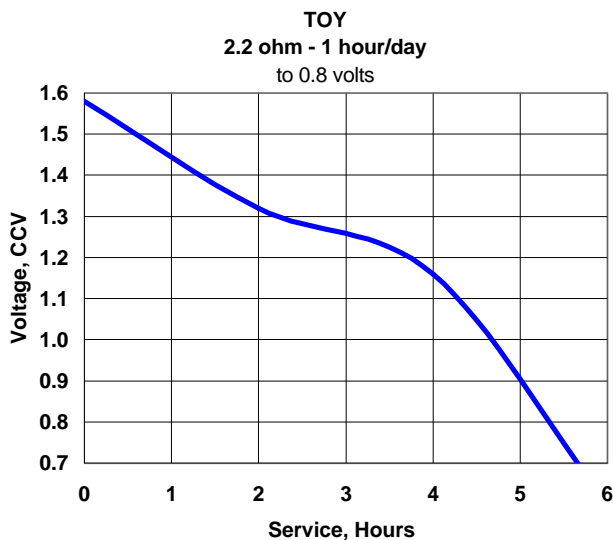
**Average Capacity:** 5.9 Ah to 0.8 volts  
 (Rated at 25mA continuous at 21°C)

**Jacket:** Metal

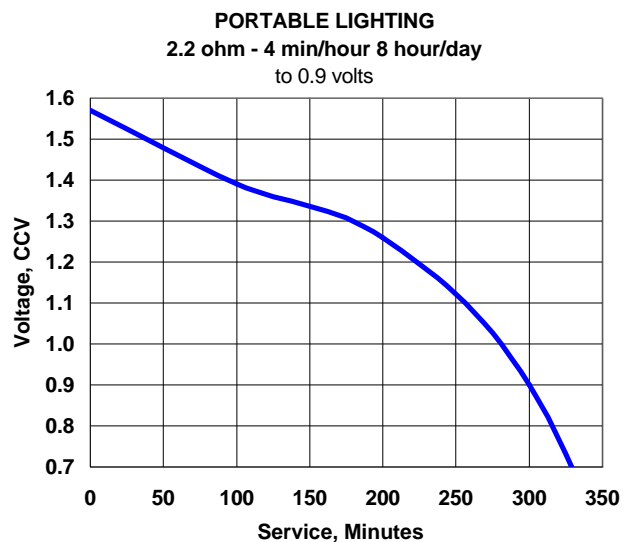
### ANSI Industry Standard Test @ 20°C



### ANSI Industry Standard Test @ 20°C



### ANSI Industry Standard Test @ 20°C



### Important Notice

This data sheet contains information specific to batteries manufactured at the time of its publication.

**Contents herein do not constitute a warranty.**

Copyright © Eveready Battery Co. - All rights reserved