

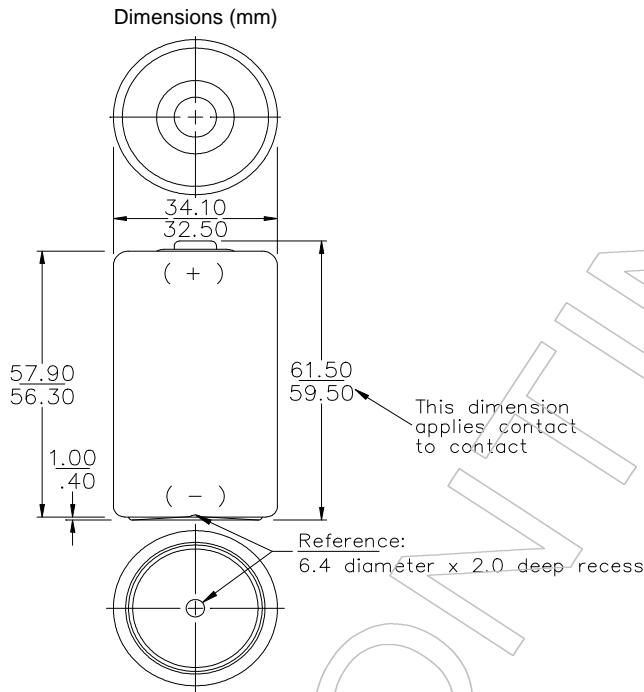


Engineering Data

D

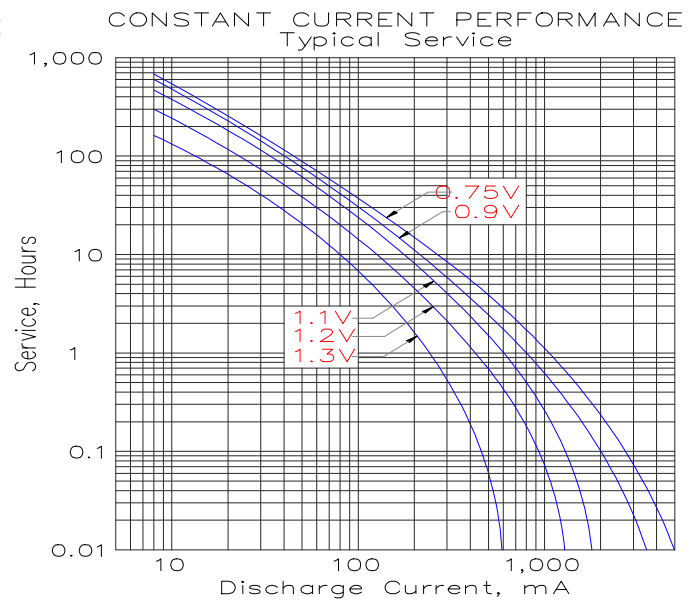
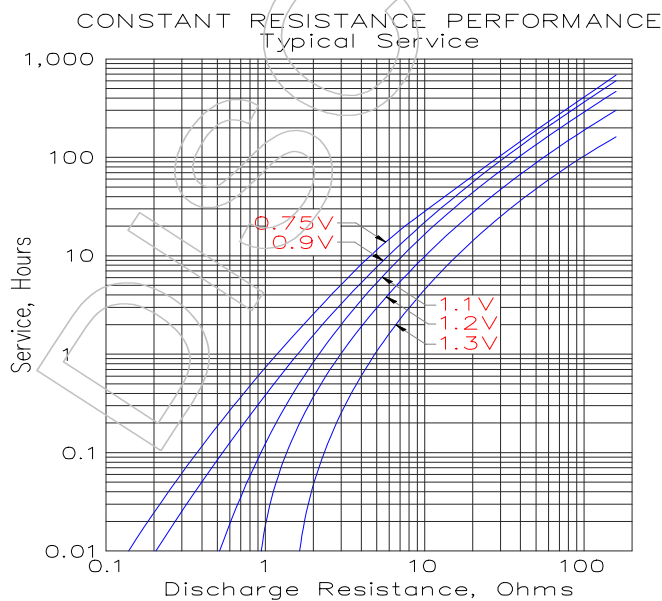
Zinc Chloride 1.5V
Industrial General Purpose
 No Added Mercury or Cadmium
NOT INTENDED FOR RETAIL TRADE

EVEREADY NO. EV50

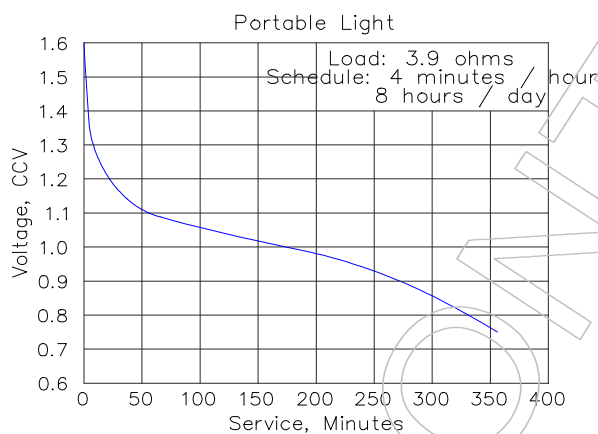
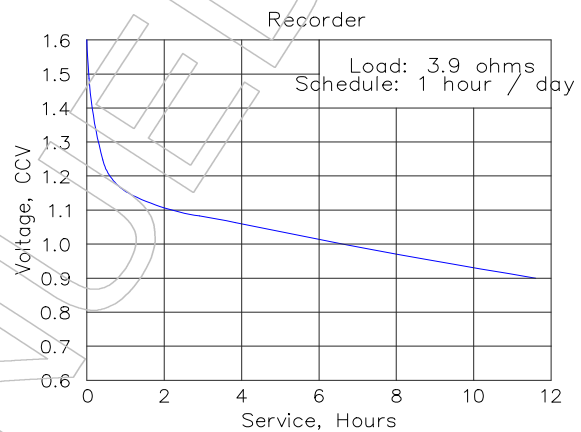
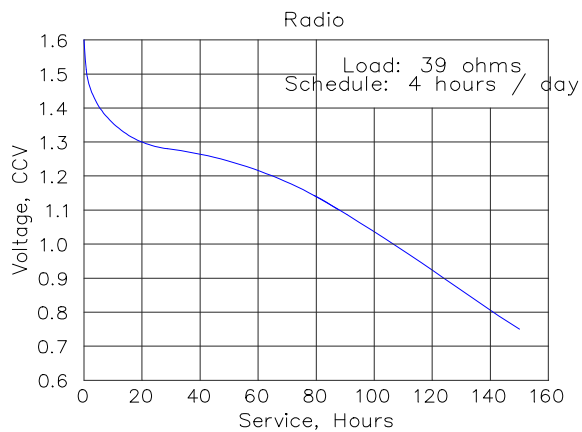


Chemical System: Zinc-Manganese Dioxide (Zn/MnO₂)
Designation: ANSI-13C, IEC-R20
Battery Voltage: 1.5 Volts
Average Weight: 81 grams (2.9 oz.)
Volume: 53.0 cubic centimeters (3.2 cubic inch)
Average Service Capacity (to 0.8 Volt / cell): 4.5 Ah
 (Rated capacity at 25 mA continuous drain)
Cells: One No. 50 (size "D")
Jacket: Plastic Laminated Paper

Millimeters	Inches
0.40	0.016
1.00	0.039
2.00	0.079
6.40	0.252
32.50	1.280
34.10	1.343
56.30	2.217
57.90	2.280
59.50	2.343
61.50	2.421



Typical Applications



Important Notice

This data sheet contains information specific to batteries manufactured at time of its publication. Please contact your Energizer representative for most current information. Contents herein do not constitute a warranty.