

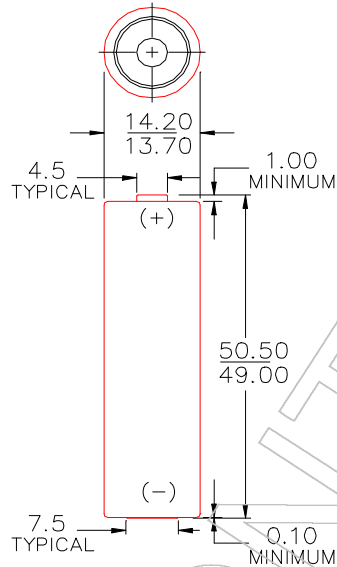


Eveready Battery Company, Inc.

Checkerboard Square
St. Louis, MO 63164
Telephone 1-800-383-7323
Internet: www.energizer.com

Engineering Data

ENERGIZER NO. EV9



Chemical System: Mercuric Oxide (Zn/HgO)
Designation: ANSI / NEDA-15M, IEC-NR6
Average Service Capacity (to 0.9 volts): 2,600 mAh
(Rated Capacity at 24 ohms @ 21°C)
Typical Weight: 31 grams (1.09 oz.)
Volume: 8.0 cubic centimeters (0.49 cubic in.)
Cells: 9-P
Jacket: Metal (Green)
Terminal: Flat Contact

Dimensions (mm)

Millimeters	Inches
0.10	0.004
1.00	0.039
4.50	0.177
7.50	0.295
13.70	0.539
14.20	0.559
49.00	1.929
50.50	1.988

IMPORTANT NOTICE

This data sheet contains information specific to batteries manufactured at time of its publication. Please contact your Energizer representative for most current information. Contents herein do not constitute a warranty.