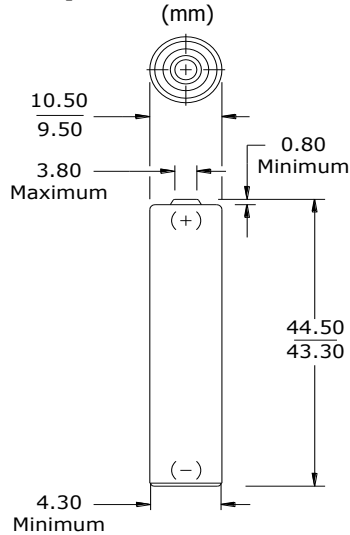


# Rechargeable AAA-500 (HR03)

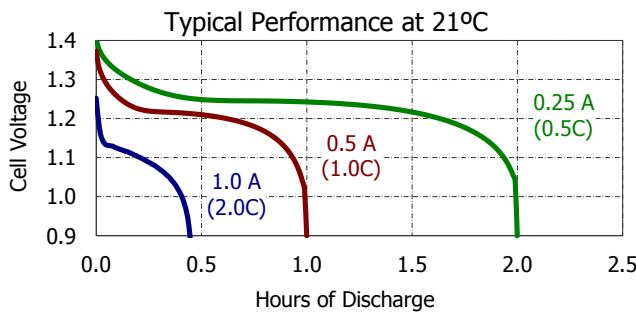
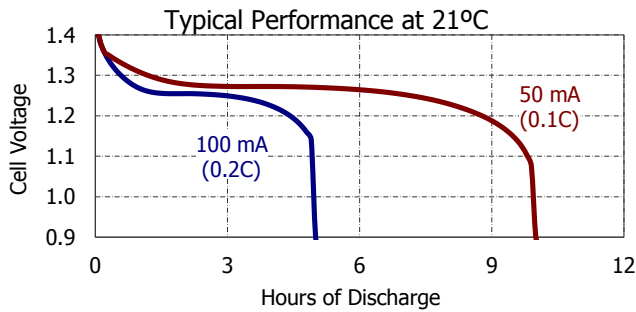
**AAA**



## Industry Standard Dimensions



## Typical Discharge Characteristics



## Specifications

- Classification:** ACCU Recharge
- Chemical System:** Nickel-Metal Hydride (NiMH)
- Designation:** IEC-HR03
- Nominal Voltage:** 1.2 Volts
- Rated Capacity:** 500 mAh (to 1.0 volts)  
Based on 100 mA (0.2C) discharge rate
- Typical Weight:** 12.0 grams
- Typical Volume:** 3.8 cubic centimeters
- Jacket:** Plastic Label

### Internal Resistance:

The internal resistance of the cell varies with state of charge, as follows:

Cell Charged	Cell 1/2 Discharged
100 milliohms	120 milliohms
(tolerance of ±20% applies to above values)	

### AC Impedance (No Load):

The impedance of the charged cell varies with frequency, as follows:

Frequency (Hz)	Impedance (milliohms) (Charged Cell)
1000	35

Above values based on AC current set at 1.0 ampere. Value tolerances are ±20%.

### Operating and Storage Temperatures:

To maintain maximum performance, observe the following general guidelines regarding environmental conditions.

- Charge: 0°C to 40°C
- Discharge: 0°C to 50°C
- Storage: -20°C to 30°C
- Humidity: 65±20%

Operating at extreme temperatures, will significantly impact battery cycle life.

### Important Notice

This datasheet contains typical information specific to products manufactured at the time of its publication. **Contents herein do not constitute a warranty and are for reference only.**