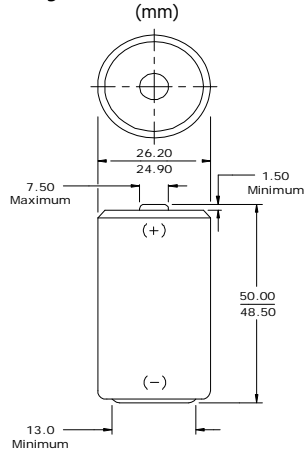


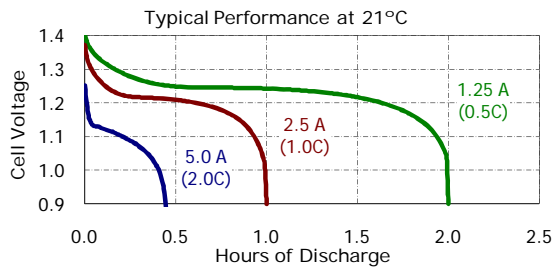
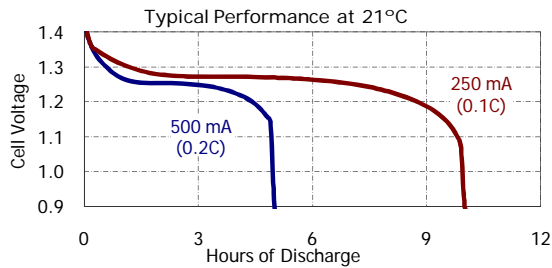
# Rechargeable C-2500 (HR14)



## Industry Standard Dimensions



## Typical Discharge Characteristics



## Specifications

<b>Classification:</b>	ACCU Rechargeable
<b>Chemical System:</b>	Nickel-Metal Hydride (NiMH)
<b>Designation:</b>	IEC-HR14
<b>Nominal Voltage:</b>	1.2 Volts
<b>Rated Capacity:</b>	2500 mAh (to 1.0 volts) Based on 500 mA (0.2C) discharge rate
<b>Typical Weight:</b>	60.0 grams
<b>Typical Volume:</b>	26.9 cubic centimeters
<b>Jacket:</b>	Plastic Label

### Internal Resistance:

The internal resistance of the cell varies with state of charge, as follows:

Cell Charged	Cell 1/2 Discharged
11 milliohms	21 milliohms
(tolerance of ±20% applies to above values)	

### AC Impedance (No Load):

The impedance of the charged cell varies with frequency, as follows:

Frequency (Hz)	Impedance (milliohms) (Charged Cell)
1000	9

Above values based on AC current set at 1.0 ampere.  
Value tolerances are ±20%.

### Operating and Storage Temperatures:

To maintain maximum performance, observe the following general guidelines regarding environmental conditions.

Charge:	0°C to 40°C
Discharge:	0°C to 50°C
Storage:	-20°C to 30°C
Humidity:	65±20%

Operating at extreme temperatures, will significantly impact battery cycle life.

### Important Notice

This datasheet contains information specific to battery chargers manufactured at the time of its publication.  
©Energizer Holdings, Inc. - Contents herein do not constitute a warranty.