

EVEREADY HS14196



NOT INTENDED FOR RETAIL TRADE

Chemical System: Zinc-Manganese Dioxide (Zn/MnO₂)

Designation: ANSI / NEDA-205C, IEC-30R6

Battery Voltage: 22.5, 45 Volts

Average Weight: 508 grams (18 oz.)

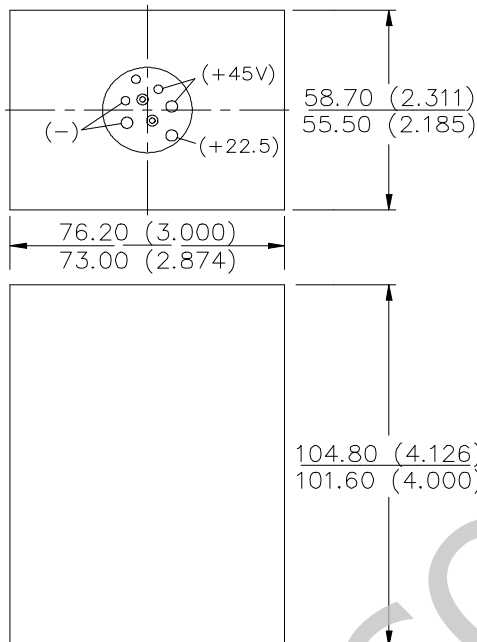
Volume: 469 cubic centimeters (28.6 cubic inch)

Average Capacity: 950 mAh to 1.3 volts
(Rated at 25 mA continuous drain at 21°C)

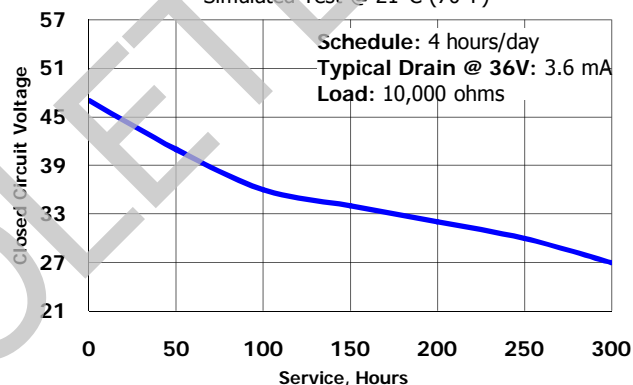
Cells: Thirty No. 15 (size 'AA') in series

Jacket: Paper

Industry Standard Dimensions



TYPICAL DISCHARGE CURVE
Simulated Test @ 21°C (70°F)



Simulated Application Test
Estimated Average Service at 21°C (70°F)

Schedule:	Typical Drains at 36V (milliamperes)	Load (ohms)	Cutoff Voltage			
			27V	30V	33V	36V
4 hours/day	3.6	10,000	300	255	175	100
4 hours/day	7.2	5,000	140	120	72	50
4 hours/day	14.4	2,500	54	45	27	18

Schedule:	Load (ohms)	Cutoff Amperage		
		2A	2.5A	3A
1 second ON, 4 seconds rest 1 second ON, 4 seconds rest 1 second ON, 3 cycles / day intervals of 3, 3, and 18 hours 5 days / week	2	100	90	80

Important Notice

This data sheet contains information specific to batteries manufactured at the time of its publication.

Contents herein do not constitute a warranty.

Copyright © Eveready Battery Co. Inc. - All Rights Reserved