

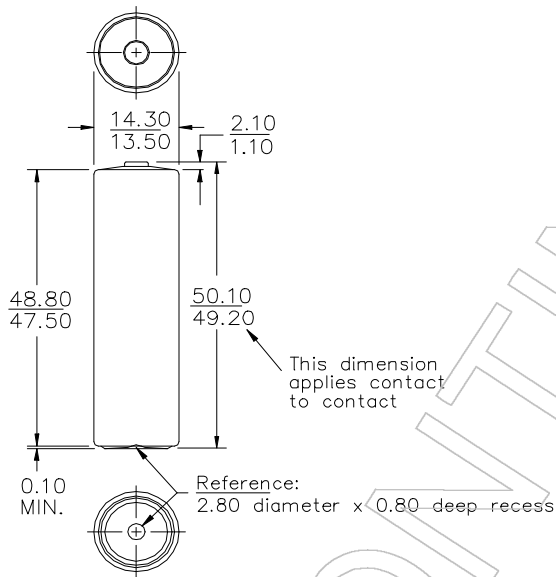


Eveready Battery Company, Inc.

Checkerboard Square
St. Louis, MO 63164
Telephone 1-800-383-7323
Internet: www.energizer.com

Engineering Data

ENERGIZER NO. HS15



Chemical System: Zinc Chloride
Designation: ANSI / NEDA-15F, IEC-R6
Typical Weight: 15 grams (0.5 oz.)
Volume: 8.0 cubic centimeters (0.5 cubic in.)
Terminals: Plastic Knurl / Screw Post
Cells: One No. 15 (size "AA")

Dimensions (mm)

| Millimeters | Inches |
|-------------|--------|
| 0.10 | 0.004 |
| 0.80 | 0.031 |
| 1.10 | 0.043 |
| 2.10 | 0.083 |
| 2.80 | 0.110 |
| 13.50 | 0.531 |
| 14.30 | 0.563 |
| 47.50 | 1.870 |
| 48.80 | 1.921 |
| 49.20 | 1.937 |
| 50.10 | 1.972 |

IMPORTANT NOTICE

This data sheet contains information specific to batteries manufactured at time of its publication. Please contact your Energizer representative for most current information. Contents herein do not constitute a warranty.