



Eveready Battery Company, Inc.
Checkerboard Square
St. Louis, MO 63164
Telephone: 1-800-383-7323
Internet: www.energizer.com

Engineering Data

EVEREADY NO. HS6571

LeClanche 22.5V

No Added Mercury or Cadmium

NOT INTENDED FOR RETAIL TRADE

Chemical System: LeClanche-Manganese Dioxide (Zn/MnO₂)

Designation: Not yet available

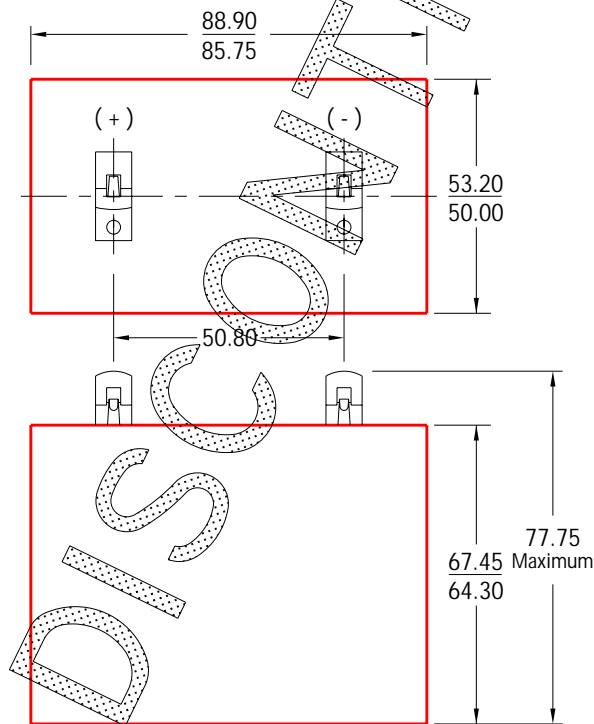
Battery Voltage: 22.5 Volts

Average Weight: 451 grams (15.9 oz.)

Volume: 319 cubic centimeters (19.5 cubic inch)

Cells: Three No. 15135 in parallel.

Dimensions (mm)



| Millimeters | Inches |
|-------------|--------|
| 50.00 | 1.968 |
| 50.80 | 2.000 |
| 53.20 | 2.094 |
| 64.30 | 2.531 |
| 67.45 | 2.656 |
| 77.75 | 3.061 |
| 85.75 | 3.376 |
| 88.90 | 3.500 |