

ENERGIZER NH15-1850

AA

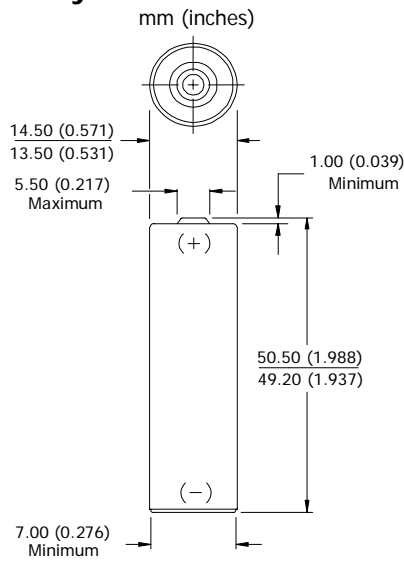


Specifications

| | |
|-------------------------|--|
| Classification: | Rechargeable |
| Chemical System: | Nickel-Metal Hydride (NiMH) |
| Designation: | ANSI-1.2H2 |
| Nominal Voltage: | 1.2 Volts |
| Rated Capacity: | 1850 mAh* at 21°C (70°F) |
| Typical Weight: | 28.0 grams (1.0 oz.) |
| Typical Volume: | 8.3 cubic centimeters (0.5 cubic inch) |
| Terminals: | Flat Contact |
| Jacket: | Plastic |

* Based on 370 mA (0.2C rate) continuous discharge to 1.0 volts.

Industry Standard Dimensions



Internal Resistance:

The internal resistance of the cell varies with state of charge, as follows:

| | |
|---|----------------------------|
| <u>Cell Charged</u> | <u>Cell 1/2 Discharged</u> |
| 30 milliohms | 40 milliohms |
| (tolerance of ±20% applies to above values) | |

AC Impedance (no load):

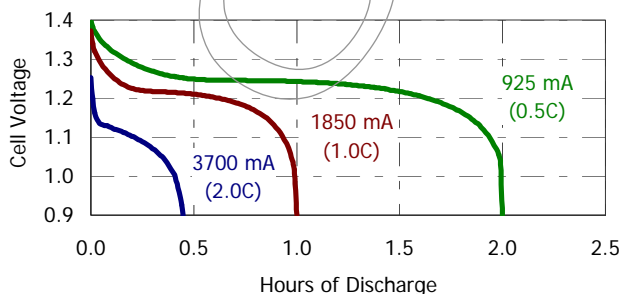
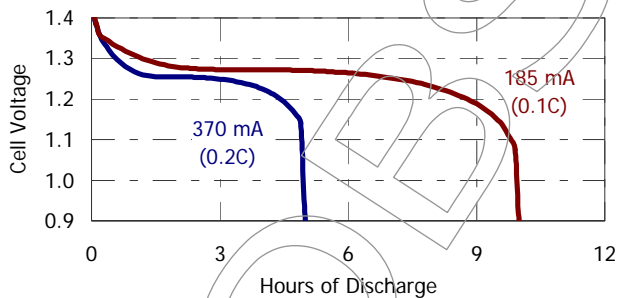
The impedance of the charged cell varies with frequency, as follows:

| | |
|-----------------------|--|
| <u>Frequency (Hz)</u> | <u>Impedance (milliohms)</u> (charged cell) |
| 1000 | 12 |

Above values based on AC current set at 1.0 ampere
Value tolerances are ±20%.

Discharge Characteristics

Typical Performance at 21°C (70°F)



Operating and Storage Temperatures:

To maintain maximum performance, observe the following general guidelines regarding environmental conditions:

| | |
|------------|------------------------------|
| Charge: | 0°C to 40°C (32°F to 104°F) |
| Discharge: | 0°C to 50°C (32°F to 122°F) |
| Storage: | -20°C to 30°C (-4°F to 86°F) |
| Humidity: | 65±20% |

NOTE: Operating at extreme temperatures, will significantly impact battery cycle life.

Important Notice

This data sheet contains typical information specific to products manufactured at the time of its publication.

©Energizer Holdings, Inc. - Contents herein do not constitute a warranty.