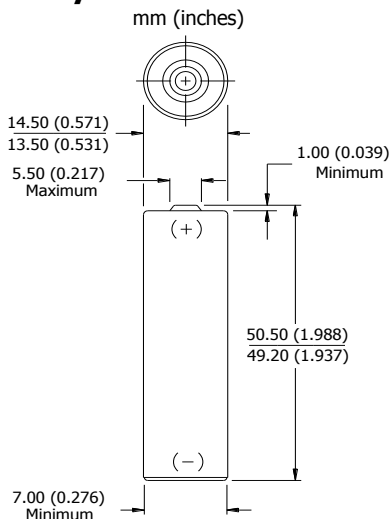


ENERGIZER NH15-2000 (HR6)

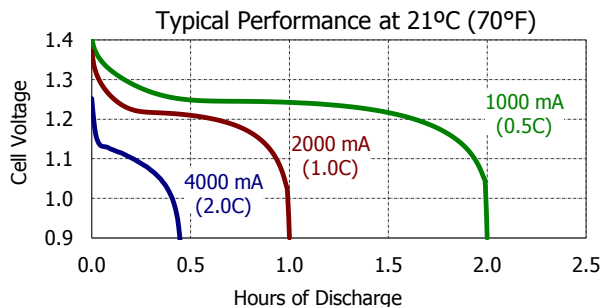
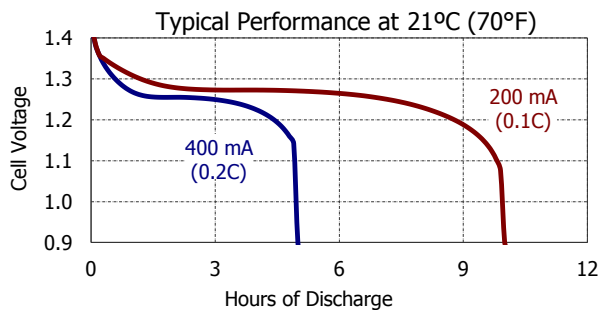
AA



Industry Standard Dimensions



Typical Discharge Characteristics



Specifications

Classification: Rechargeable
Chemical System: Nickel-Metal Hydride (NiMH)
Designation: ANSI-1.2H2 IEC-HR6
Nominal Voltage: 1.2 Volts
Rated Capacity: 2000 mAh (to 1.0 volts)
 Based on 400 mA (0.2C) discharge rate
Typical Weight: 27 grams (0.95 oz.)
Typical Volume: 8.3 cubic centimeters
Jacket: Plastic Label

Internal Resistance:

The internal resistance of the cell varies with state of charge, as follows:

Cell Charged	Cell 1/2 Discharged
30 milliohms	40 milliohms

(tolerance of ±20% applies to above values)

AC Impedance (No Load):

The impedance of the charged cell varies with frequency, as follows:

Frequency (Hz)	Impedance (milliohms) (Charged Cell)
1000	12

Above values based on AC current set at 1.0 ampere. Value tolerances are ±20%.

Operating and Storage Temperatures:

To maintain maximum performance, observe the following general guidelines regarding environmental conditions.

Charge: 0°C to 40°C
 Discharge: 0°C to 50°C
 Storage: -20°C to 30°C
 Humidity: 65±20%

Operating at extreme temperatures, will significantly impact battery cycle life.

Important Notice

This datasheet contains information specific to battery chargers manufactured at the time of its publication. Contents herein do not constitute a warranty and are for reference only