

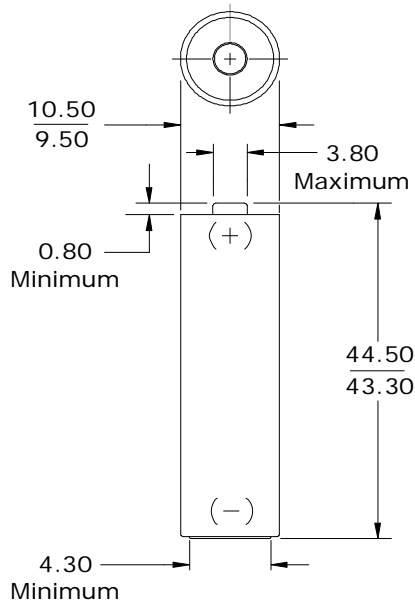
Eveready Silver AAA (R03)

**AAA**



**Industry Standard Dimensions**

(millimeters)



**Specifications**

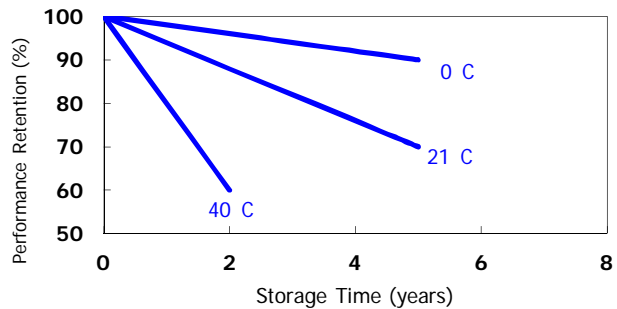
**Classification:** "Carbon Zinc" (Zinc Chloride)  
**Chemical System:** Zinc-Manganese Dioxide (Zn/MnO<sub>2</sub>)  
 No Added Mercury or Cadmium  
**Designation:** IEC-R03  
**Nominal Voltage:** 1.5 volts  
**Typical Capacity:** 540 mAh\* (to 0.8 volts)  
**Capacity Test:** 25 mA continuous drain (21°C)

\* Varies according to the applied load, temperature, and cutoff voltage.

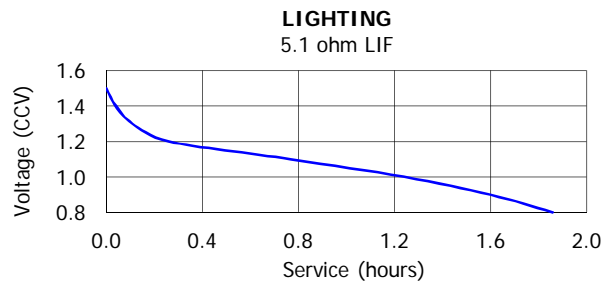
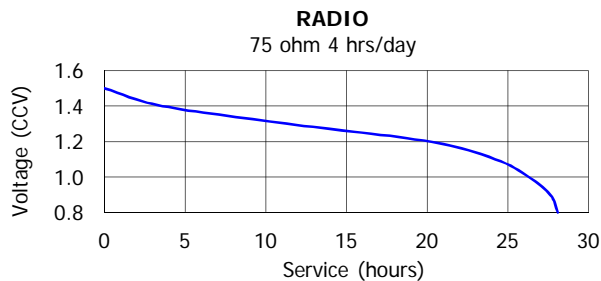
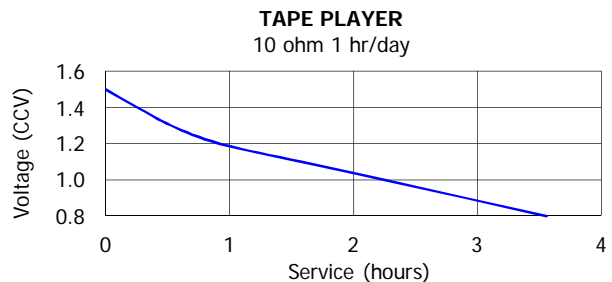
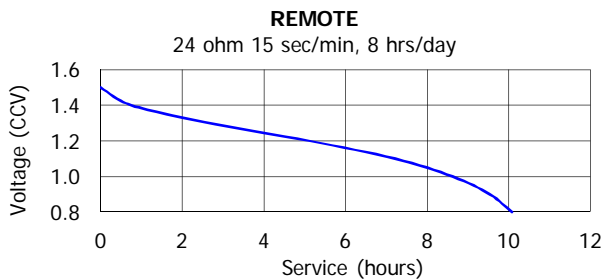
**Operating Temp:** -18°C to 55°C  
**Typical Weight:** 9.7 grams  
**Typical Volume:** 4.0 cubic centimeters  
**Jacket:** Metal

**Storage/Capacity Characteristics**

Effects of Storage at Various Temperatures



**Industry Standard Tests (21°C)**



**Important Notice**

This datasheet contains information specific to battery chargers manufactured at the time of its publication.  
 © Energizer Holdings, Inc. - Contents herein do not constitute a warranty.