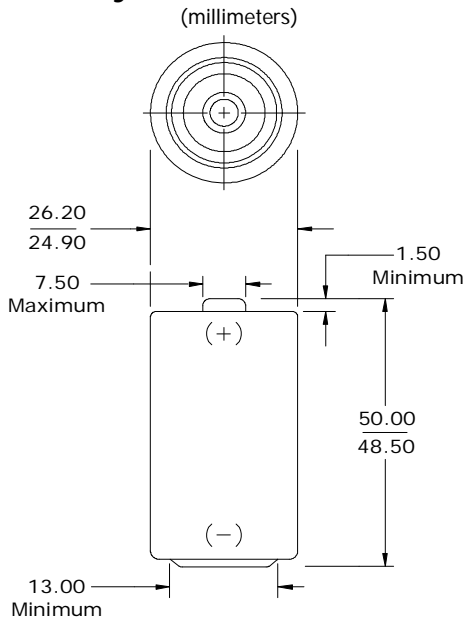


Eveready Silver C (R14)



Industry Standard Dimensions



Specifications

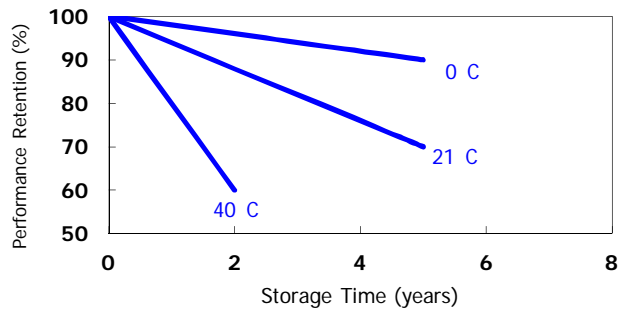
Classification: "Carbon Zinc" (Zinc Chloride)
Chemical System: Zinc-Manganese Dioxide (Zn/MnO₂)
 No Added Mercury or Cadmium
Designation: IEC-R14
Nominal Voltage: 1.5 volts
Typical Capacity: 3,420 mAh* (to 0.8 volts)
Capacity Test: 25 mA continuous drain (21°C)

* Varies according to the applied load, temperature, and cutoff voltage.

Operating Temp: -18°C to 55°C
Typical Weight: 45 grams
Typical Volume: 25 cubic centimeters
Jacket: Metal

Storage/Capacity Characteristics

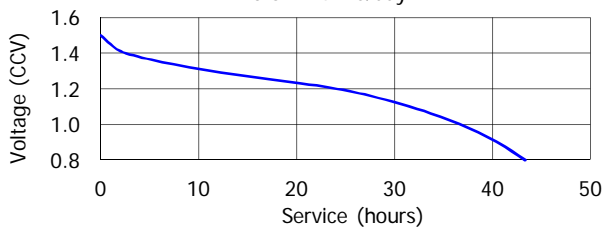
Effects of Storage at Various Temperatures



Industry Standard Tests (21°C)

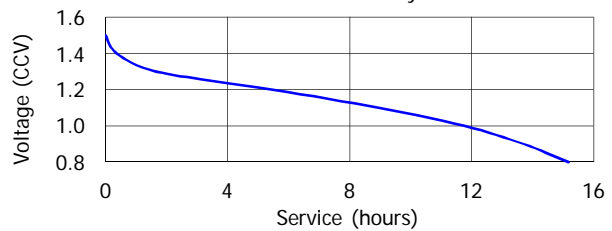
RADIO

20 ohm 4 hrs/day



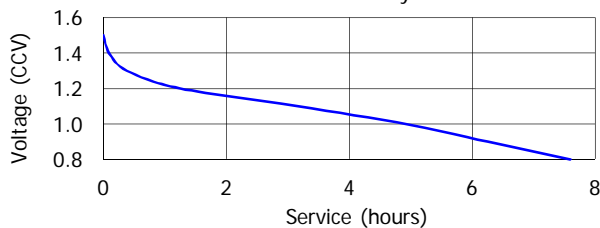
TAPE PLAYER

6.8 ohm 1 hr/day



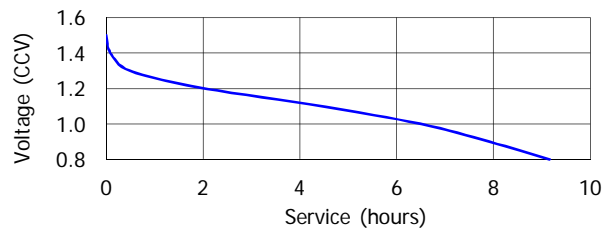
TOY

3.9 ohm 1 hr/day



LIGHTING

3.9 ohm LIF



Important Notice

This datasheet contains information specific to battery chargers manufactured at the time of its publication.
 © Energizer Holdings, Inc. - Contents herein do not constitute a warranty.