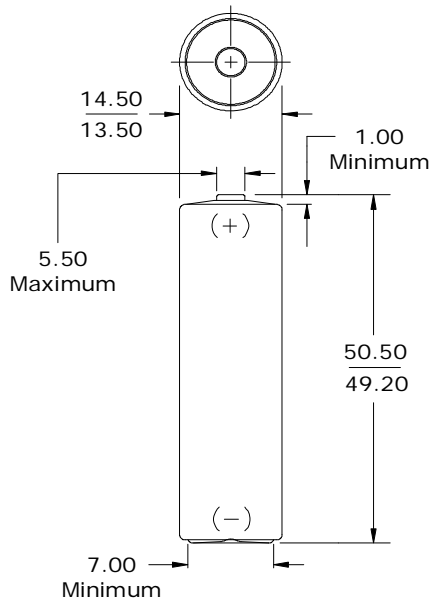


Eveready Silver AA (R6)



Industry Standard Dimensions

(millimeters)



Specifications

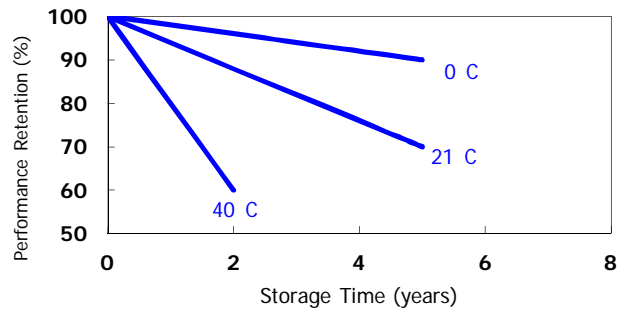
Classification: "Carbon Zinc" (Zinc Chloride)
Chemical System: Zinc-Manganese Dioxide (Zn/MnO₂)
 No Added Mercury or Cadmium
Designation: IEC-R6
Nominal Voltage: 1.5 volts
Typical Capacity: 1,100 mAh* (to 0.8 volts)
Capacity Test: 25 mA continuous drain (21°C)

* Varies according to the applied load, temperature, and cutoff voltage.

Operating Temp: -18°C to 55°C
Typical Weight: 15 grams
Typical Volume: 8.0 cubic centimeters
Jacket: Metal

Storage/Capacity Characteristics

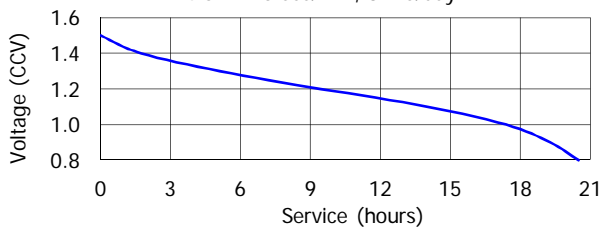
Effects of Storage at Various Temperatures



Industry Standard Tests (21°C)

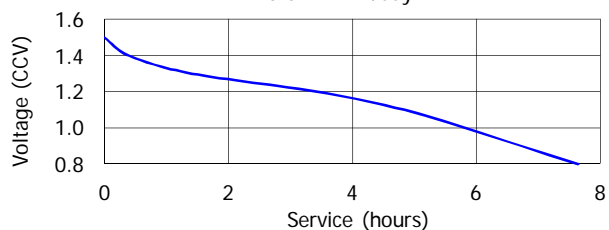
REMOTE

24 ohm 15 sec/min, 8 hrs/day



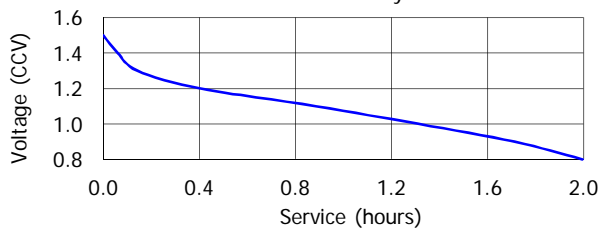
TAPE PLAYER

10 ohm 1 hr/day



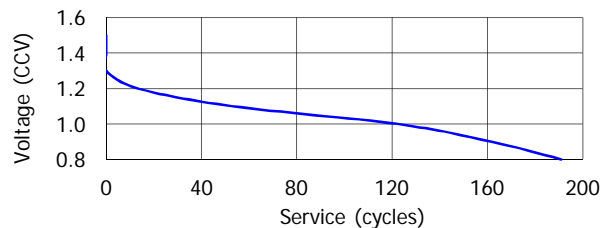
TOY

3.9 ohm 1 hr/day



PHOTOFLASH

1.8 ohm 15 sec/min



Important Notice

This datasheet contains information specific to battery chargers manufactured at the time of its publication.
 © Energizer Holdings, Inc. - Contents herein do not constitute a warranty.