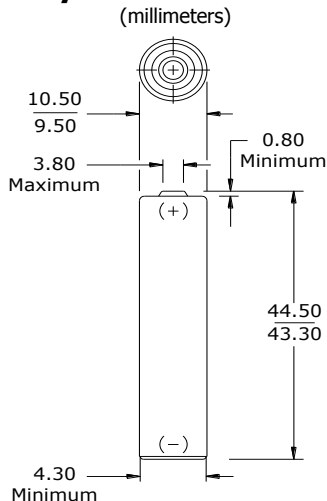


EVEREADY RE12-500

AAA



Industry Standard Dimensions



Specifications

Classification: Rechargeable
Chemical System: Nickel-Metal Hydride (NiMH)
Designation: IEC-HR03
Nominal Voltage: 1.2 Volts
Rated Capacity: 500 mAh (to 1.0 volts)
 Based on 140 mA (0.2C) discharge rate

Typical Weight: 12.0 grams
Typical Volume: 3.8 cubic centimeters
Jacket: Plastic Label

Internal Resistance:

The internal resistance of the cell varies with state of charge, as follows:

Cell Charged	Cell 1/2 Discharged
100 milliohms	120 milliohms

(tolerance of ±20% applies to above values)

AC Impedance (No Load):

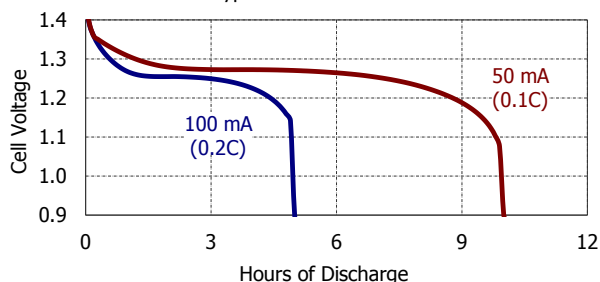
The impedance of the charged cell varies with frequency, as follows:

Frequency (Hz)	Impedance (milliohms) (Charged Cell)
1000	35

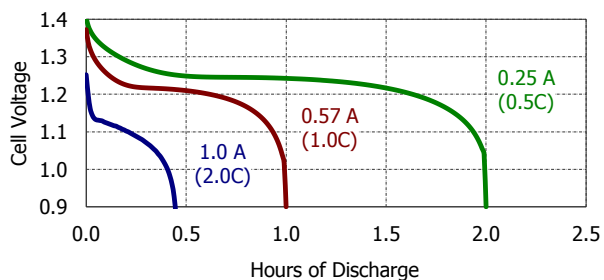
Above values based on AC current set at 1.0 ampere. Value tolerances are ±20%.

Typical Discharge Characteristics

Typical Performance at 21°C



Typical Performance at 21°C



Operating and Storage Temperatures:

To maintain maximum performance, observe the following general guidelines regarding environmental conditions.

Charge: 0°C to 40°C
 Discharge: 0°C to 50°C
 Storage: -20°C to 30°C
 Humidity: 65±20%

Operating at extreme temperatures, will significantly impact battery cycle life.

Important Notice

This datasheet contains typical information specific to products manufactured at the time of its publication. Contents herein do not constitute a warranty and are for reference only.