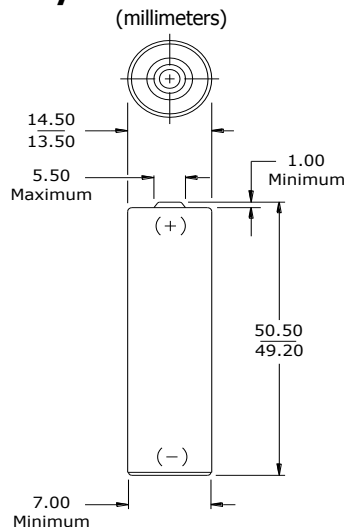


EVEREADY RE15-1300

AA



Industry Standard Dimensions



Specifications

**Classification:** Rechargeable  
**Chemical System:** Nickel-Metal Hydride (NiMH)  
**Designation:** IEC-HR6  
**Nominal Voltage:** 1.2 Volts  
**Rated Capacity:** 1300 mAh (to 1.0 volts)  
 Based on 400 mA (0.2C) discharge rate

**Typical Weight:** 28.0 grams  
**Typical Volume:** 8.3 cubic centimeters  
**Jacket:** Plastic Label

Internal Resistance:

The internal resistance of the cell varies with state of charge, as follows:

Cell Charged	Cell 1/2 Discharged
30 milliohms	40 milliohms

(tolerance of ±20% applies to above values)

AC Impedance (No Load):

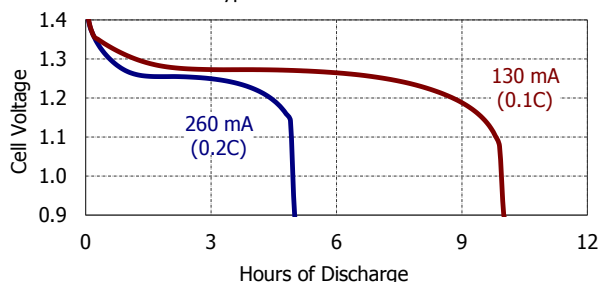
The impedance of the charged cell varies with frequency, as follows:

Frequency (Hz)	Impedance (milliohms) (Charged Cell)
1000	12

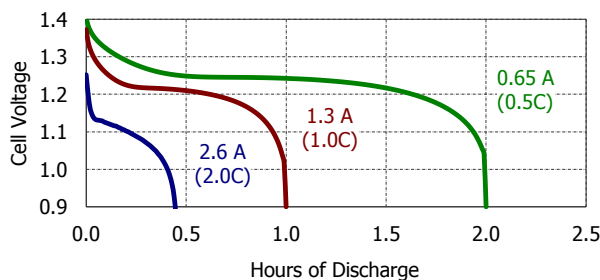
Above values based on AC current set at 1.0 ampere. Value tolerances are ±20%.

Typical Discharge Characteristics

Typical Performance at 21°C



Typical Performance at 21°C



Operating and Storage Temperatures:

To maintain maximum performance, observe the following general guidelines regarding environmental conditions.

Charge: 0°C to 40°C  
 Discharge: 0°C to 50°C  
 Storage: -20°C to 30°C  
 Humidity: 65±20%

Operating at extreme temperatures, will significantly impact battery cycle life.

Important Notice

This datasheet contains typical information specific to products manufactured at the time of its publication. Contents herein do not constitute a warranty and are for reference only.