



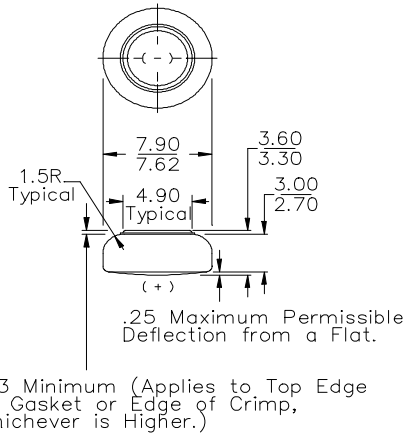
Eveready Battery Company, Inc.

Checkerboard Square  
 St. Louis, MO 63164  
 Telephone 1-800-383-7323  
 Internet: www.energizer.com

## Engineering Data

### ENERGIZER NO. S312E

Dimensions (mm)



Millimeters	Inches
0.03	0.001
0.25	0.010
1.50	0.059
2.70	0.106
3.00	0.118
3.30	0.130
3.60	0.142
4.90	0.193
7.62	0.300
7.90	0.311

**Chemical System:** Silver Oxide (Zn/Ag<sub>2</sub>O)

**Designation:** ANSI / NEDA-1179SO, IEC-SR41

**Battery Voltage:** 1.55 Volts

**Average Weight:** 0.57 grams (0.02 oz.)

**Volume:** 0.18 cubic centimeters (0.011 cubic inch)

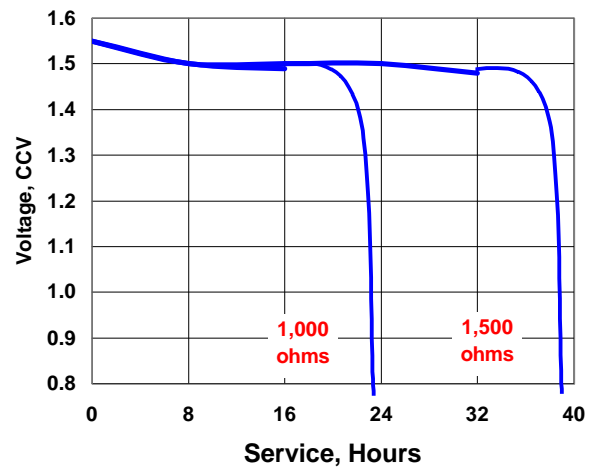
**Average Service capacity (to 1.3 Volt):** 38 mAh  
 (Rated Capacity at 1.5k ohms, 16 hrs/day at 21°C)

### Simulated Application Tests Estimated Average Service at 21°C (70°F)

Schedule	Typical Drains @ 1.55V		Cutoff Voltage
	(milliamperes)	Load (ohms)	0.9V hours
16 hours / day	1.03	1,500	38
16 hours / day	1.55	1,000	23

**Internal Resistance** The typical impedance of these cells on open circuit and during useful discharge varies from 12-17 ohms. This applies over a frequency range of 40 - 5,000 hertz and at the current drains shown.

### Typical Discharge Characteristics Simulated Test at 21°C (70°F)



### Important Notice

This data sheet contains information specific to batteries manufactured at time of its publication. Please contact your Energizer representative for most current information. Contents herein do not constitute a warranty.