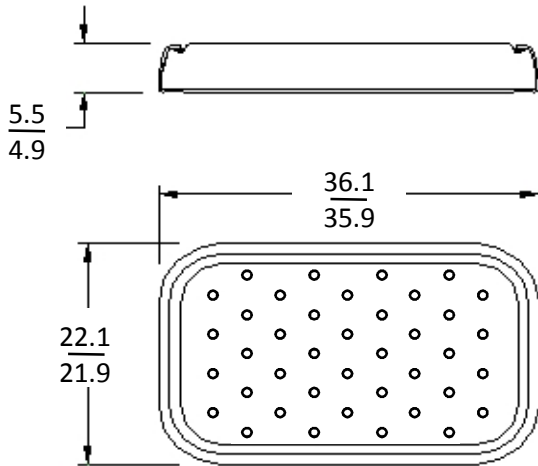


# ENERGIZER PP425

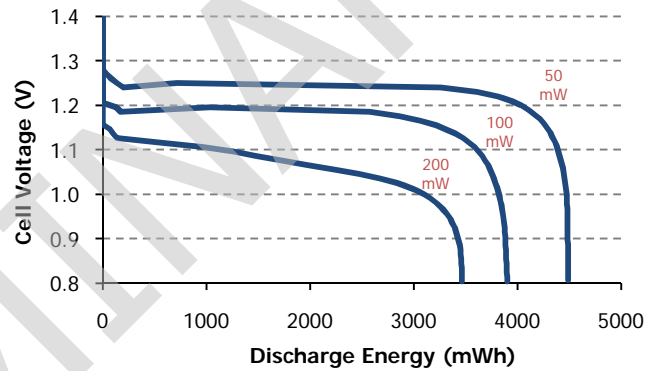
## Specifications

### Approximate Dimensions (millimeters)



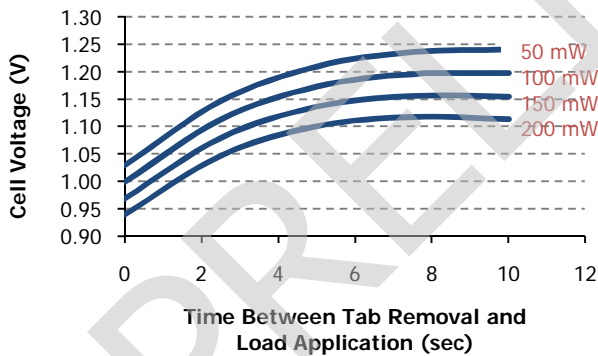
|                           |   |
|---------------------------|---|
| <b>Classification:</b>    | Zinc Air Prismatic                        |
| <b>Chemical System:</b>   | Zinc Air (Zn-O <sub>2</sub> )             |
| <b>Designation:</b>       | PP425                                     |
| <b>Nominal Voltage:</b>   | 1.4 volts                                 |
| <b>Rated Capacity:</b>    | 3600 mAh (90 hour discharge)              |
| <b>Rating Drain:</b>      | 40 mA continuous at 21°C/50% RH to 1.0V   |
| <b>Typical Weight:</b>    | 11.7 grams (0.41 ounces)                  |
| <b>Typical Volume:</b>    | 4.0 cubic centimeters (0.24 cubic inches) |
| <b>Typical Impedance:</b> | 260 mΩ at 1K Hz                           |
| <b>Air Requirements:</b>  | 2 cc air/min @ 40 mA                      |

### Discharge Profiles - Constant Power



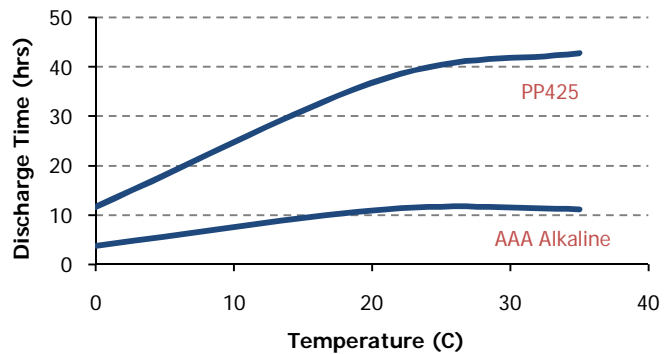
### Air Up Time

Typical Voltage When Load Applied



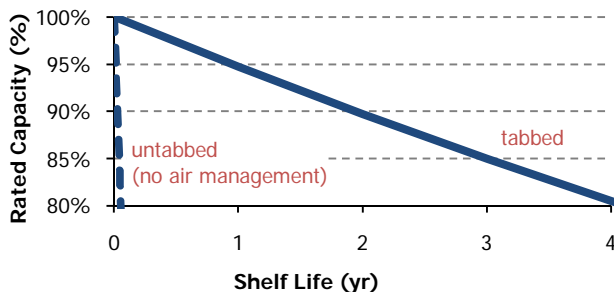
### Temperature Effects

100 mW Continuous



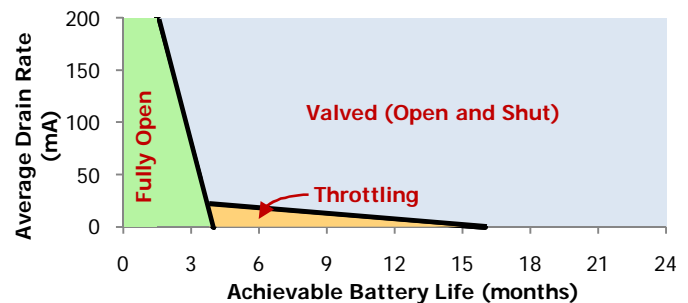
### Capacity Maintenance

Tabbed and Untabbed



### Air Management

Techniques for Various Applications



### Important Notice

This data sheet contains typical information specific to products manufactured at the time of its publication.  
©Energizer Holdings, Inc. - Contents herein do not constitute a warranty.