

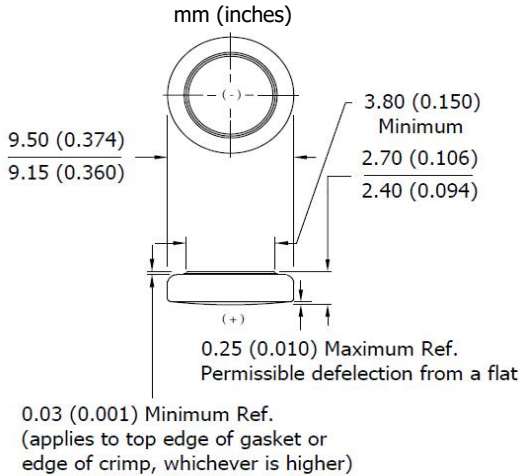
ENERGIZER 395/399

ZEROMERCURY®

SILVER OXIDE



Industry Standard Dimensions



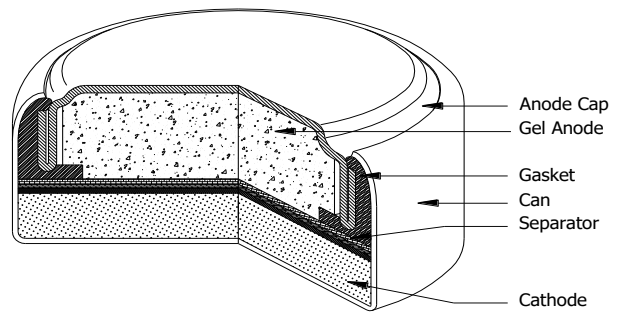
DESIGNED FOR USE ON CONTINUOUS LOW DRAIN  
HIGH PULSE ON DEMAND

Specifications

<b>Chemical System:</b>	Silver Oxide (Zn/Ag <sub>2</sub> O)
<b>Designation:</b>	ANSI-1162SO/1165SO, IEC-SR57
<b>Nominal Voltage:</b>	1.55 Volts
<b>Typical Capacity:</b>	51 mAh* (to 1.2 volts)
<b>Capacity Test:</b>	22K ohm continuous drain at 21°C
<b>Typical Weight:</b>	0.8 grams (0.03 oz.)
<b>Typical Volume:</b>	0.19 cubic centimeters (0.012 cubic inch)
<b>Impedance (40 Hz):</b>	10 to 25 ohms

\* Varies according to the applied load, temperature, and cutoff voltage.

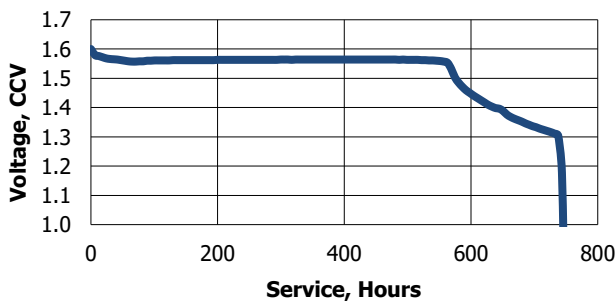
Cross Section



Typical Discharge Characteristics

Typical Performance at 21°C (70°F)

**Schedule:** Continuous  
**Typical Drain @1.51V:**  
0.069 milliamperes  
**Load:** 22K ohm

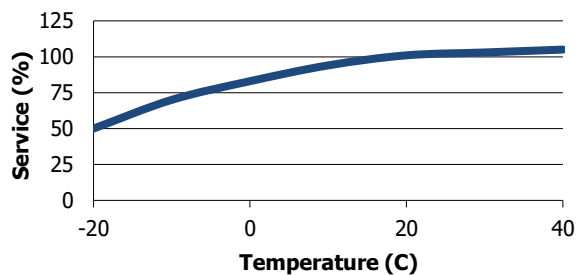


Schedule	Typical Drains at 1.51V (milliamperes)	Load (ohm)	Cutoff (hours)
Continuous	0.069	22K	743

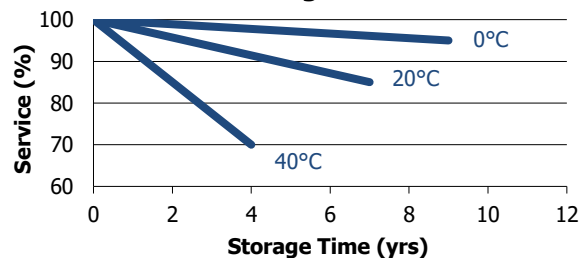
Temperature Characteristics

Typical Performance at Low Discharge Rates

Service Effects



Storage Effects



Important Notice

This datasheet contains typical information specific to products manufactured at the time of its publication.  
**Contents herein do not constitute a warranty and are for reference only.**