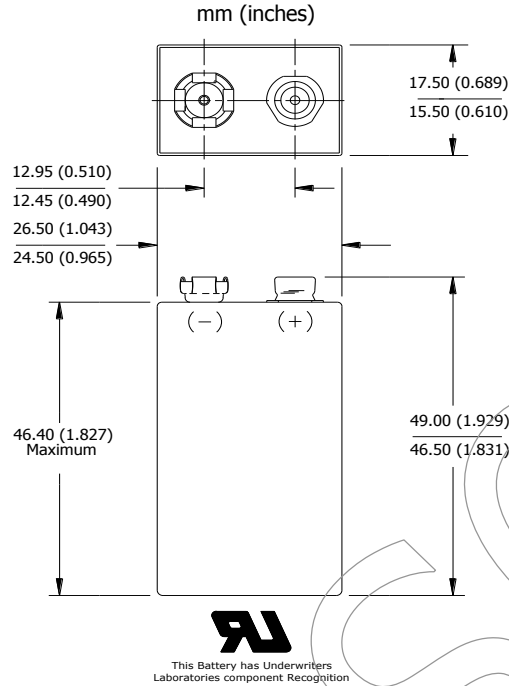


ENERGIZER LA522
Advanced Lithium

9V



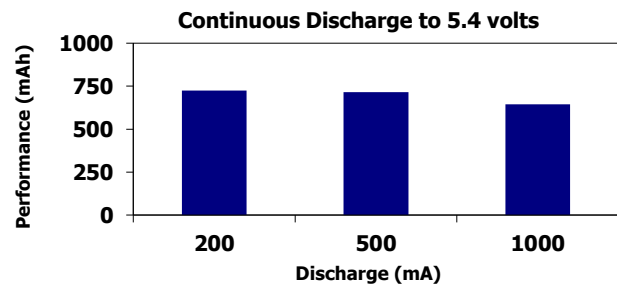
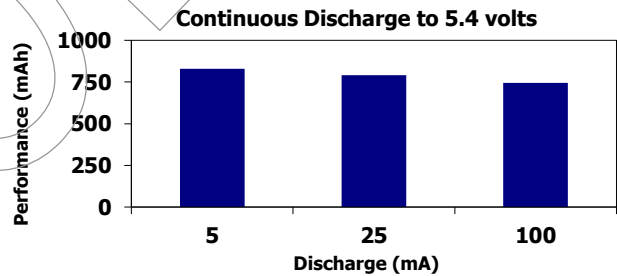
Industry Standard Dimensions



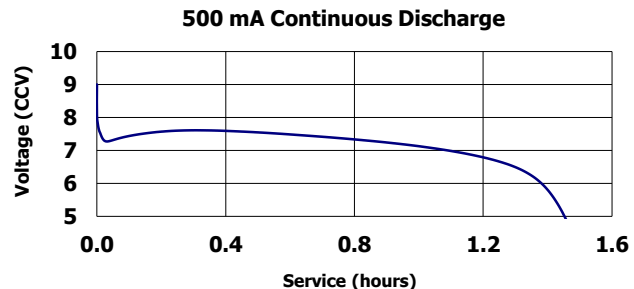
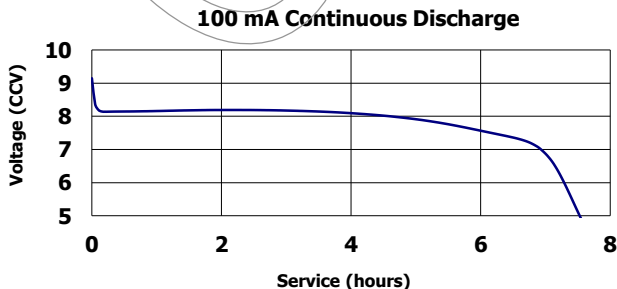
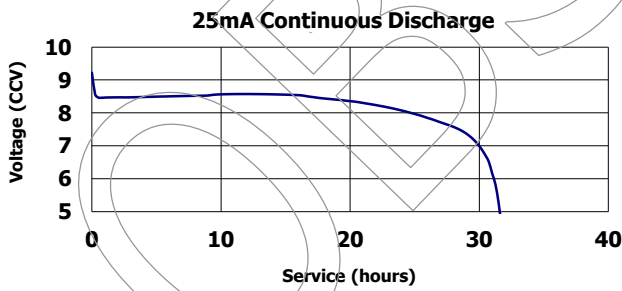
Specifications

Classification:	Lithium 9V
Chemical System:	Lithium-Manganese Dioxide (Li/MnO ₂)
Designation:	ANSI-1604LC
Nominal Voltage:	9.0 volts
Operating Temp:	-40°C to 60°C (-40°F to 140°F)
Storage Temp:	-40°C to 60°C (-40°F to 140°F)
Max Discharge :	1000 mA continuous
Safety Features:	Positive Temperature Coefficient Switch (PTC) Burst Proof Venting Holes
Typical Weight:	33.9 grams (1.2 oz.)
Typical Volume:	21.4 cubic centimeters (1.3 cubic inch)
Jacket:	Plastic Label
Terminal:	Miniature Snap
Shelf Life:	10 Years
Typical Li Content:	1.35 grams (0.048 oz.)
UL/UN Listed:	MH47482

Milliamp-Hours Performance (21°C)



Typical Discharge Performance (21°C)



Important Notice

This datasheet contains typical information specific to products manufactured at the time of its publication.
©Energizer Holdings, Inc. - Contents herein do not constitute a warranty.