



Eveready Battery Company, Inc.

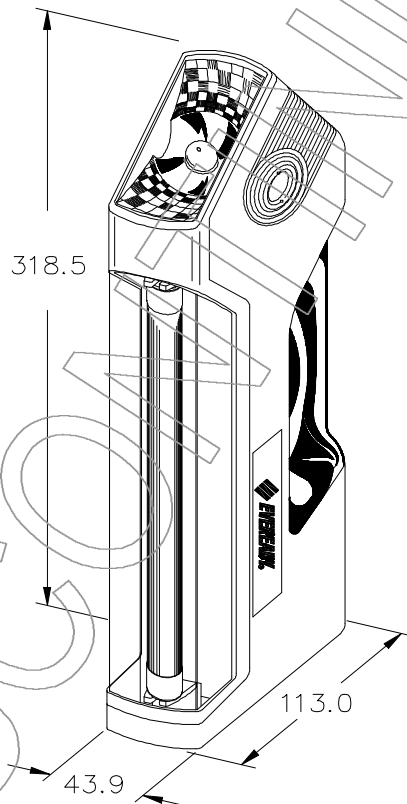
533 Maryville University Drive
St. Louis, MO 63141
Telephone 1-800-383-7323
Internet: www.energizer.com

Engineering Data

ENERGIZER NO. 9450

Dimensions

Millimeters	Inches
43.90	1.728
113.00	4.449
318.50	12.539



Designation: Outdoor Flashlight

Power Source: Four D Size Batteries
(ANSI/NEDA 13 Series)

Lamp: No. KPR-113 (Rated @ 4.8V, 0.75A)
No. PR-13 (Rated @ 4.75V, 0.5A)
No. F6T5 (Rated @ 6V)

Rated Lamp Life: 20 Hours for KPR-113
15 Hours for PR-13
7500 Hours for F6T5

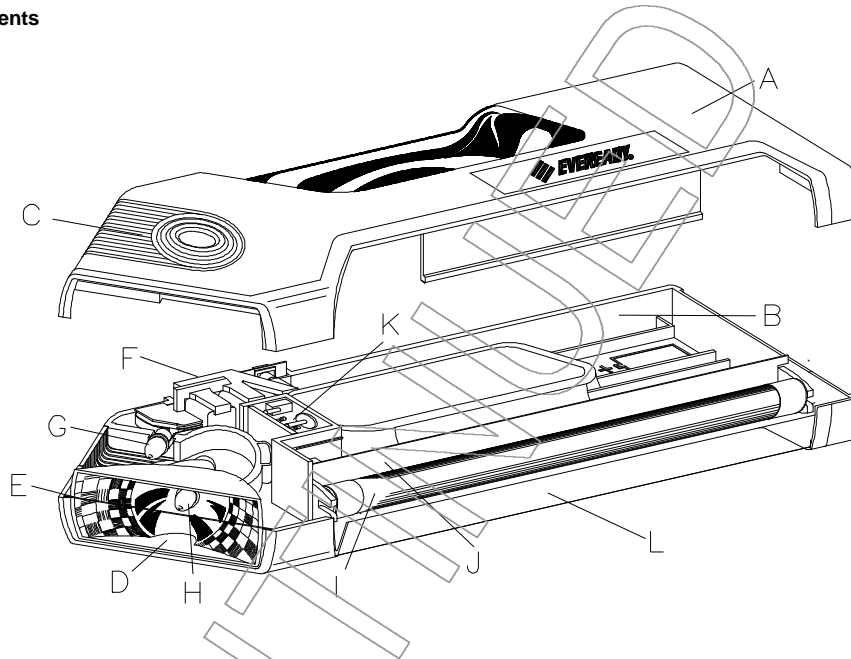
Rated Lamp Output: 51 Lumens for KPR-113
28.5 Lumens for PR-13
230 Lumens for F6T5

Weight (w/out batteries): 401 grams (14.2 oz.)

Features

Emergency Warning Flasher
Large Fluorescent Area Light
Three Separate Switches
Withstands rugged Use

Components



- | | |
|-----------------------------|----------------------------------|
| A. Upper Case | Acrylo Nitrile Butadiene Styrene |
| B. Lower Case | Acrylo Nitrile Butadiene Styrene |
| C. Flasher Lens | Polystyrene |
| D. Reflector | Polystyrene |
| E. Spotlight Lens | PVC |
| F. Switch Assembly | Acrylo Nitrile Butadiene Styrene |
| G. Flasher Lamp | PR-13 |
| H. Spotlight Lamp | KPR-113 |
| I. Fluorescent Lamp | F6T5 |
| J. Fluorescent Lamp Fixture | Polyethylene |
| K. Circuit Assembly | Phenolic Paper |
| L. Fluorescent Lens | Polystyrene |

Battery Service Schedule	Battery Type	Cutoff Voltage		
		0.9V (per battery) hours (ON light time)		
750 mA 24 hours / day	E95	9		Spotlight
100 millisecond per second	E95	220		Flasher
1250 mA 24 hours / day	E95	4		Fluorescent

Important Notice

This data sheet contains information specific to batteries manufactured at time of its publication. Please contact your Energizer representative for most current information. Contents herein do not constitute a warranty.