

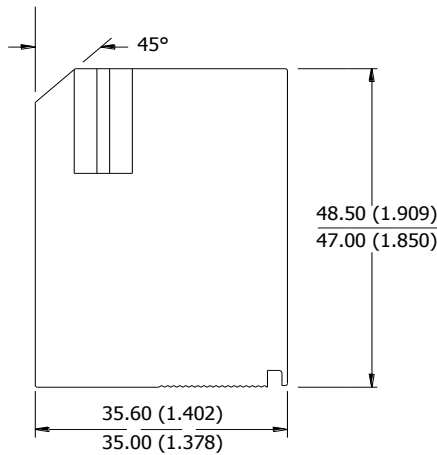
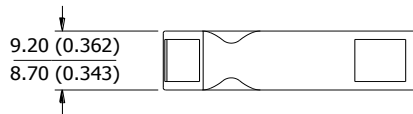
# ENERGIZER 539

**J**



## Industry Standard Dimensions

mm (inches)

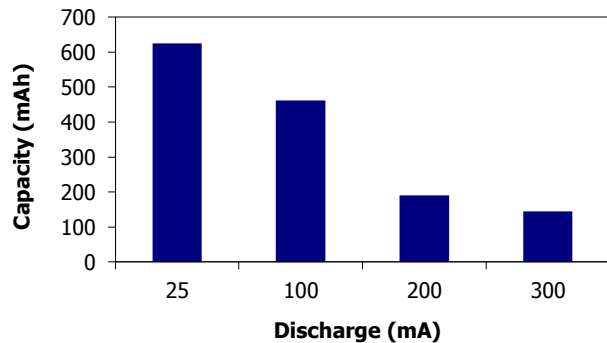


## Specifications

<b>Classification:</b>	Alkaline
<b>Chemical System:</b>	Zinc-Manganese Dioxide (Zn/MnO <sub>2</sub> ) No added mercury or cadmium
<b>Designation:</b>	ANSI-1412A, IEC-4LR61
<b>Nominal Voltage:</b>	6.0 volts
<b>Operating Temp:</b>	-18°C to 55°C (0°F to 130°F)
<b>Typical Weight:</b>	30.0 grams (1.1 oz.)
<b>Typical Volume:</b>	15.4 cubic centimeters (0.9 cubic inch)
<b>Jacket:</b>	Plastic
<b>Shelf Life:</b>	5 years at 21°C
<b>Terminal:</b>	Flat Contact
<b>Cells:</b>	Four 3-0361 in series

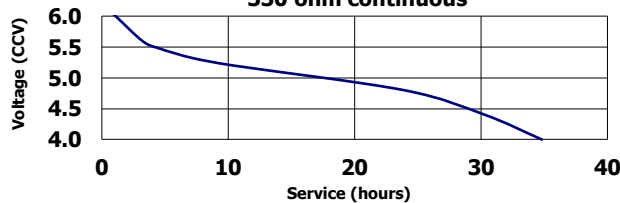
## Milliamp-Hours Capacity

Continuous discharge to 0.8 volts at 21°C

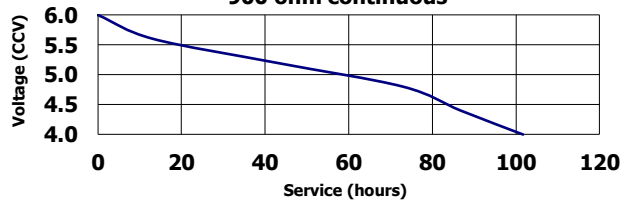


## Industry Standard Tests (21°C)

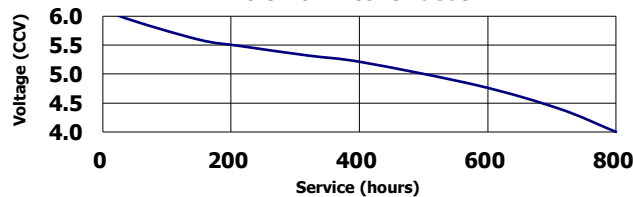
**ELECTRONIC APPLICATION**  
330 ohm continuous



**ELECTRONIC APPLICATION**  
900 ohm continuous



**STANDARD APPLICATION**  
6.8K ohm continuous



### Important Notice

This datasheet contains typical information specific to products manufactured at the time of its publication.  
©Energizer Holdings, Inc. - Contents herein do not constitute a warranty.