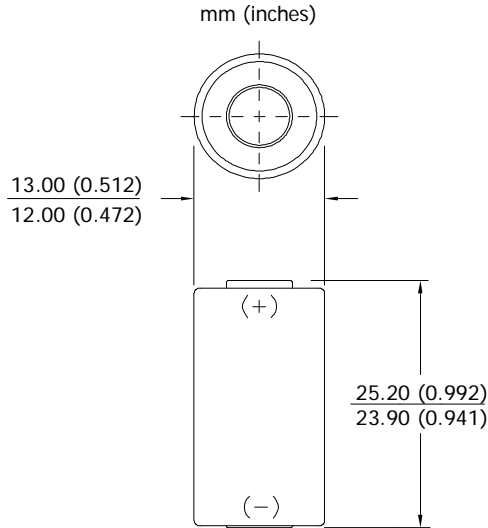


ENERGIZER A544

Miniature Alkaline



Industry Standard Dimensions



Designed specifically for photo use

Specifications

Chemical System:	Manganese Dioxide (MnO ₂)
Designation:	IEC-4LR44
Nominal Voltage:	6.0 volts
Typical Weight:	9.8 grams
Typical Volume:	3.3 cubic centimeters
Typical Capacity:	178 mAh to 3.6 volts (rated at 30k ohms at 21°C)
Cells:	Four No. LR44 in series
Jacket:	Metal

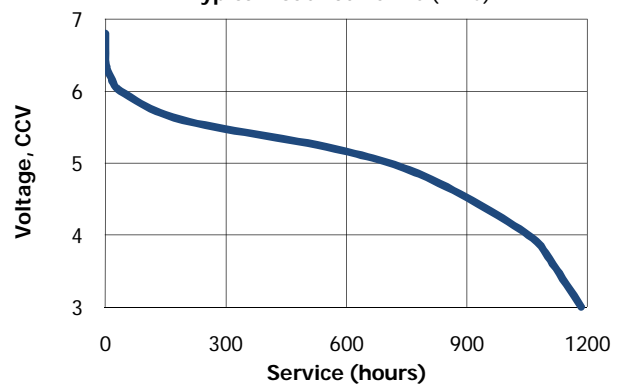
Typical Discharge Characteristics

21°C

Schedule (time)	Drain (mA)	Load (ohms)	Cutoff Voltage
			3.6V (hours)
Continuous	0.16	30K	1,113

Discharge Characteristics

Schedule: Continuous
Typical Load: 30K ohms (21°C)



Important Notice

This datasheet contains typical information specific to products manufactured at the time of its publication.
©Energizer Holdings, Inc. - Contents herein do not constitute a warranty.